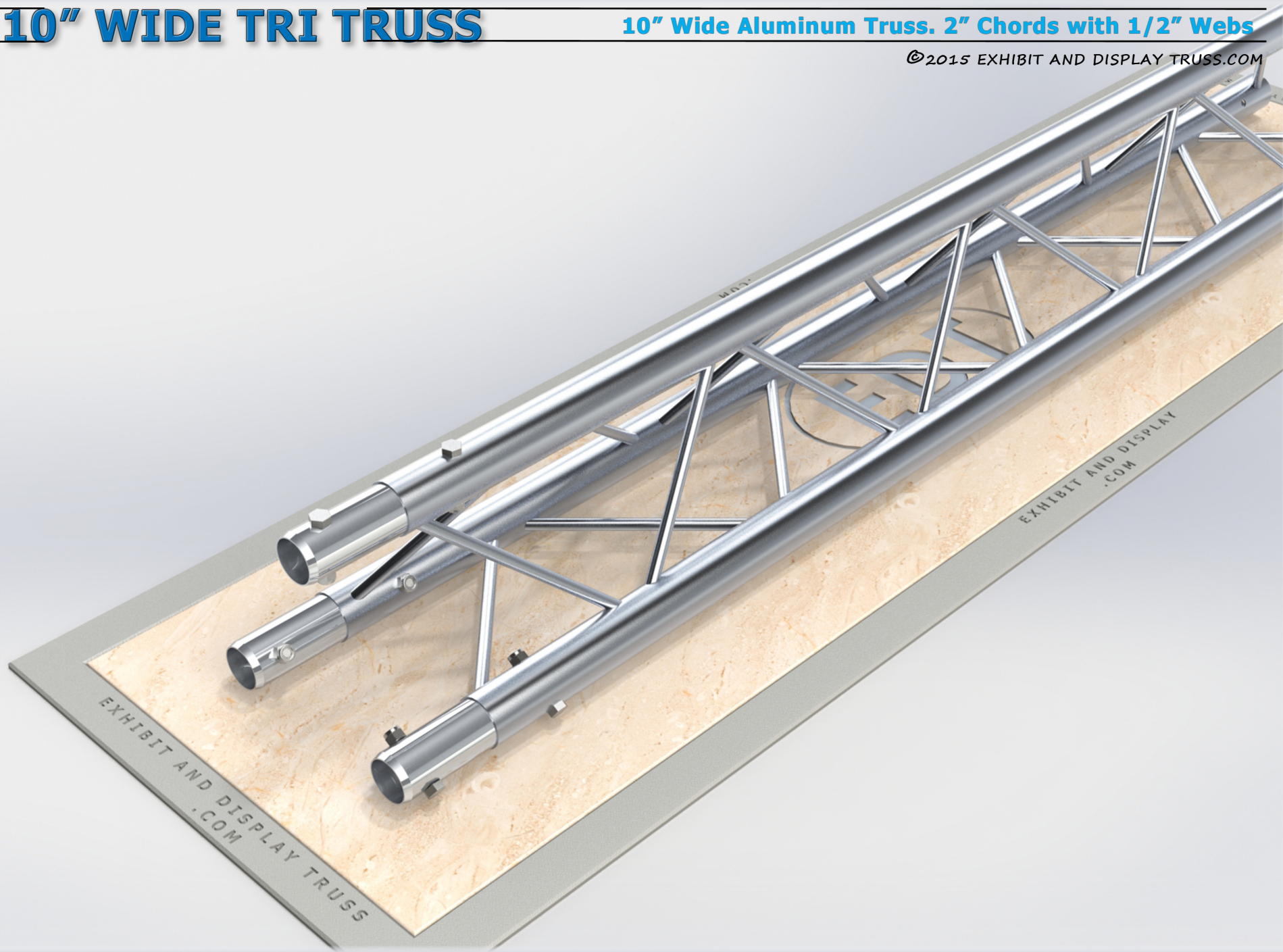


10" WIDE TRI TRUSS

10" Wide Aluminum Truss. 2" Chords with 1/2" Webs

©2015 EXHIBIT AND DISPLAY TRUSS.COM



Toll Free: 855-323-4866
Email: info@exhibitanddisplaytruss.com

ExhibitAndDisplayTruss.com

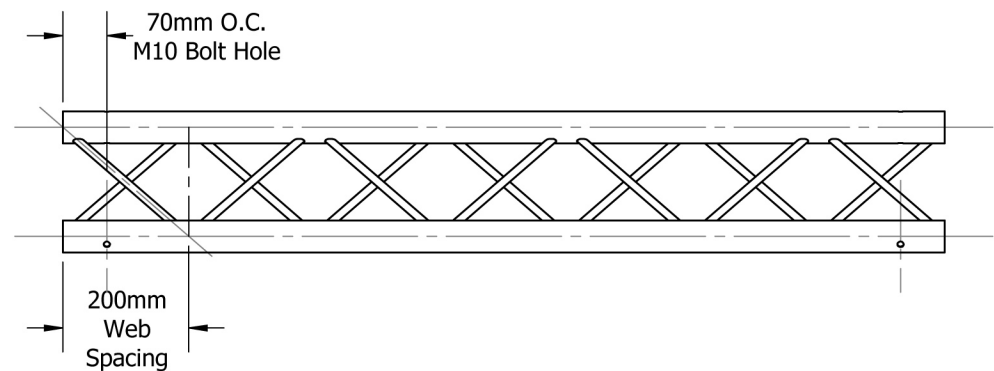
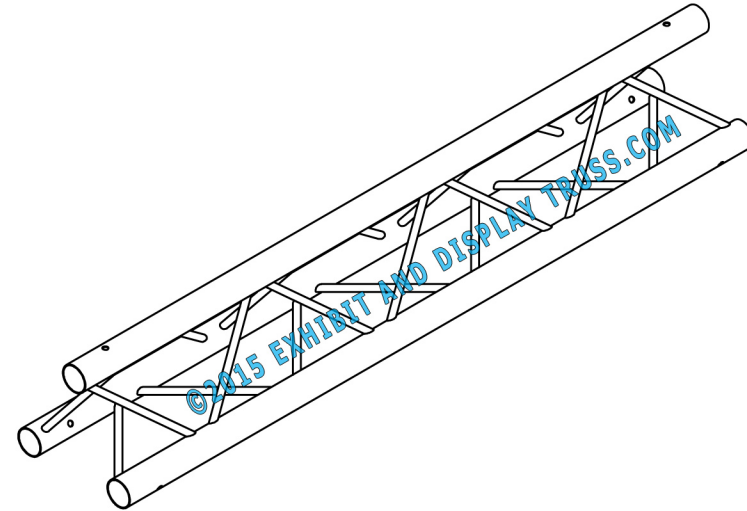
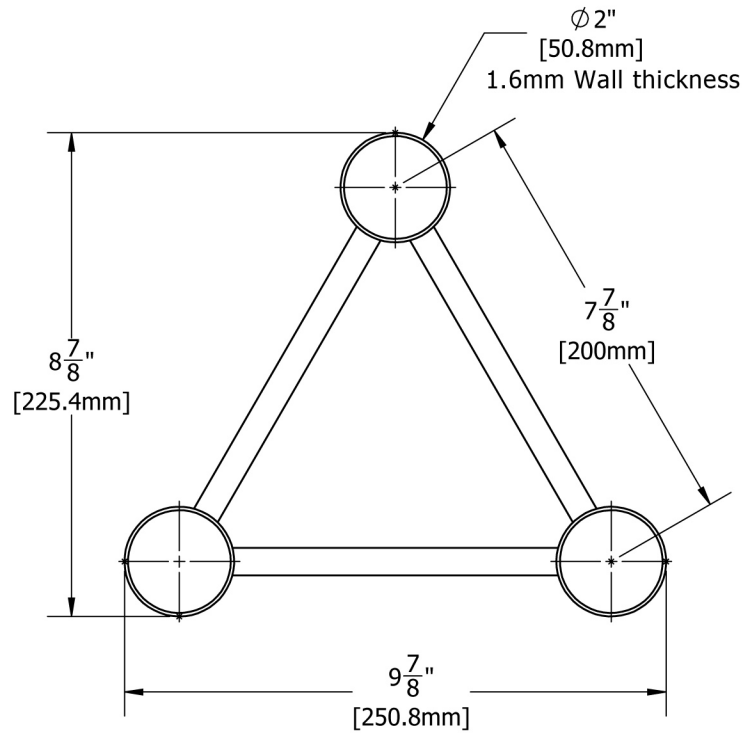
10" WIDE TRI TRUSS

10" Wide Aluminum Truss. 2" Chords with 1/2" Webs

©2015 EXHIBIT AND DISPLAY TRUSS.COM

Truss Profile

10" Wide Triangle Truss
Ø 2" Chords, Ø1/2" Webs



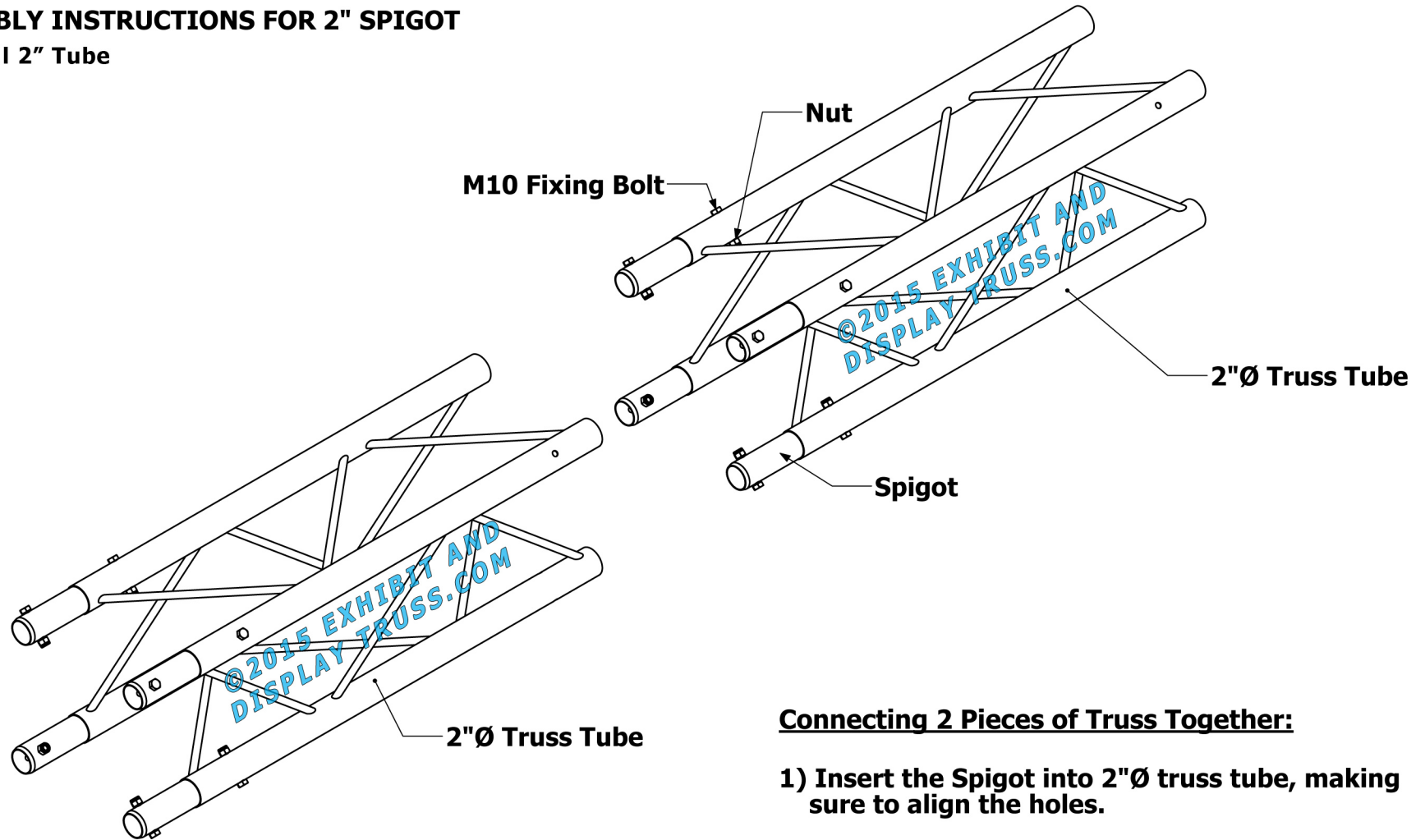
2" CONNECTION INSERT

Fits all 2" Tube

©2015 EXHIBIT AND DISPLAY TRUSS.COM

ASSEMBLY INSTRUCTIONS FOR 2" SPIGOT

Fits all 2" Tube



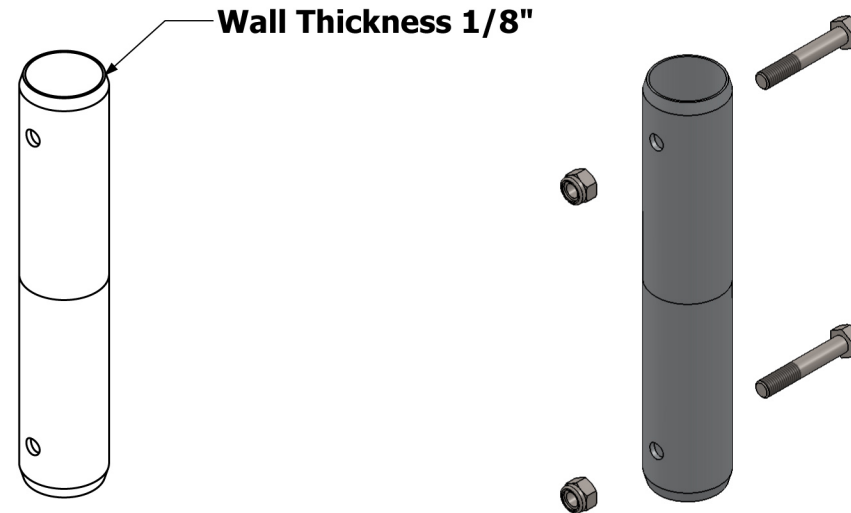
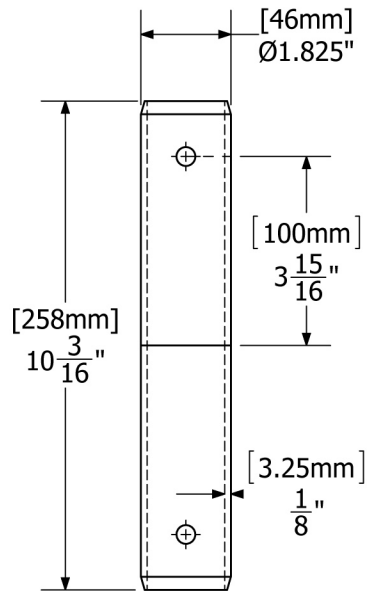
Connecting 2 Pieces of Truss Together:

- 1) Insert the Spigot into 2"Ø truss tube, making sure to align the holes.
- 2) Place M10 Fixing bolt through both holes and thread nut on the other end. Do not overtighten.
- 3) Place the other 2"Ø Tube over the the exposed Spigot end and repeat step 2.

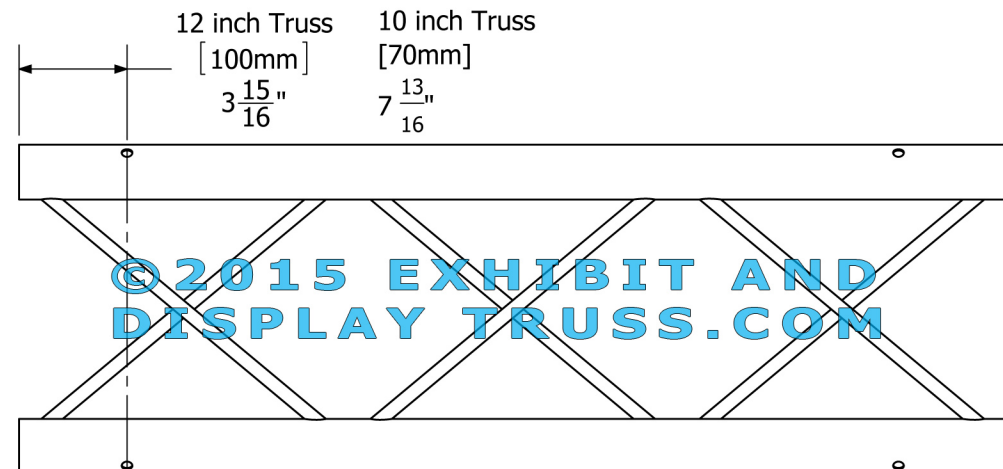
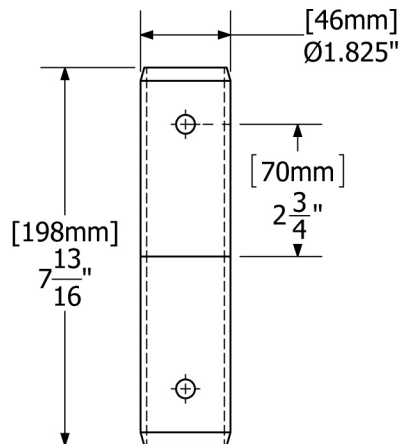
2" CONNECTION INSERT

Fits all 2" Tube

©2015 EXHIBIT AND DISPLAY TRUSS.COM



SPIGOT USED ON 12" TRUSS



SPIGOT USED ON 10" TRUSS