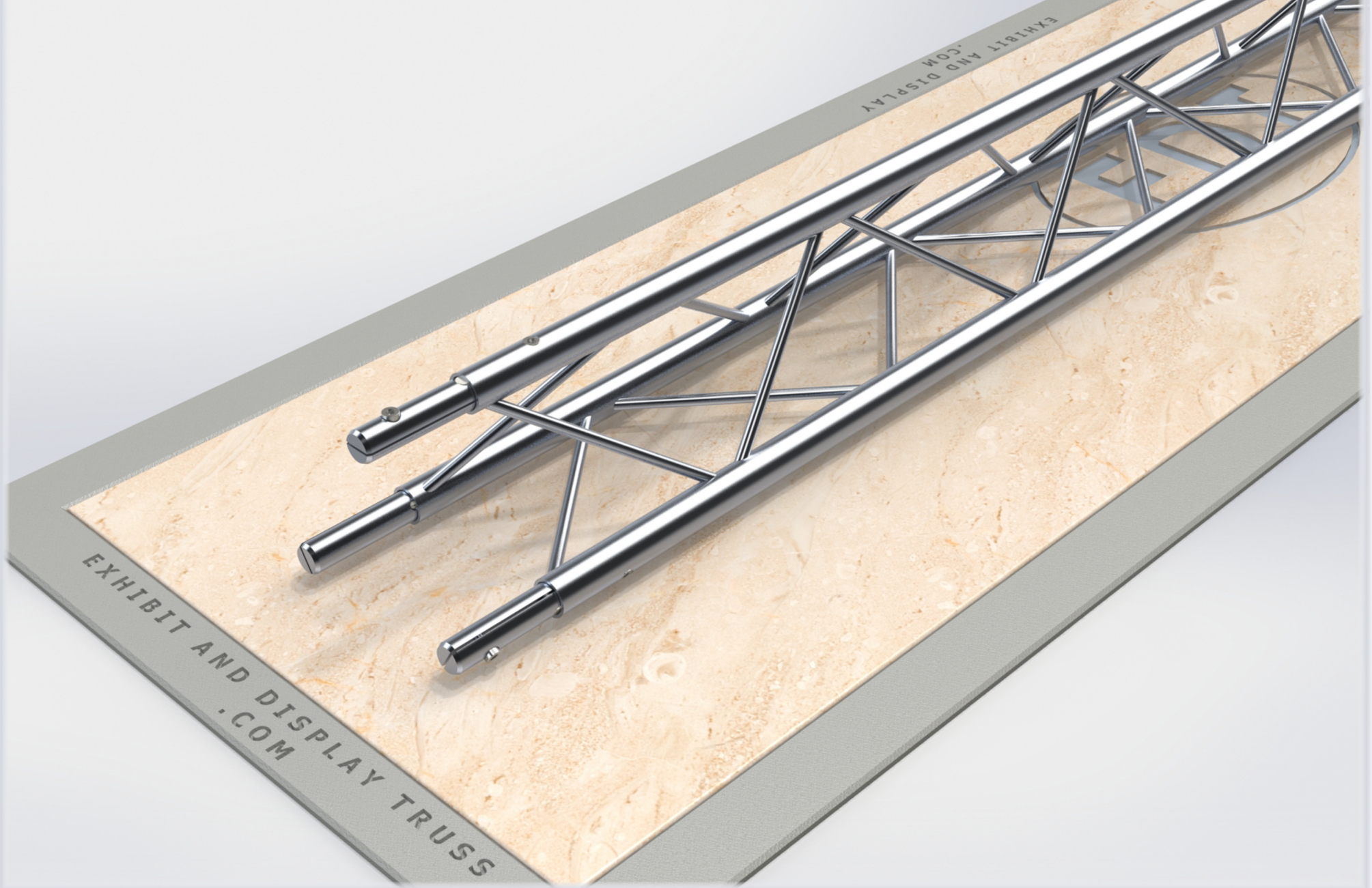


# 6" WIDE TRI TRUSS

6" Wide Aluminum Truss. 1" Chords with 5/16" Webs

©2015 EXHIBIT AND DISPLAY TRUSS.COM



Toll Free: 855-323-4866  
Email: [info@exhibitanddisplaytruss.com](mailto:info@exhibitanddisplaytruss.com)

[ExhibitAndDisplayTruss.com](http://ExhibitAndDisplayTruss.com)

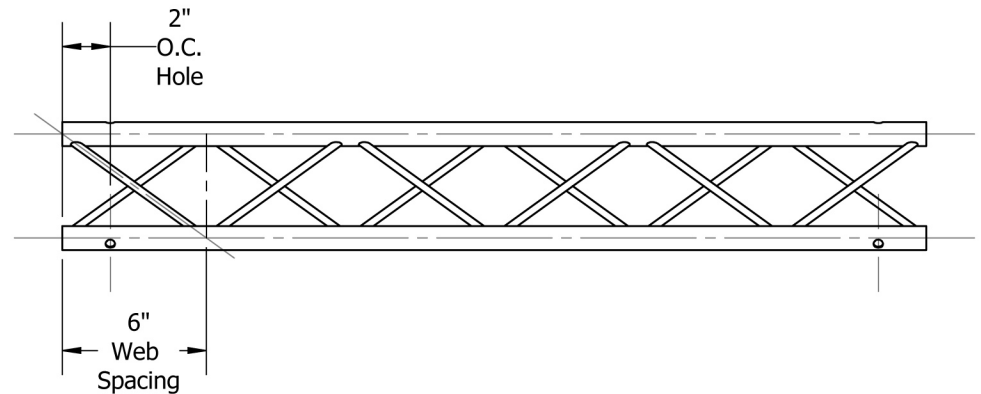
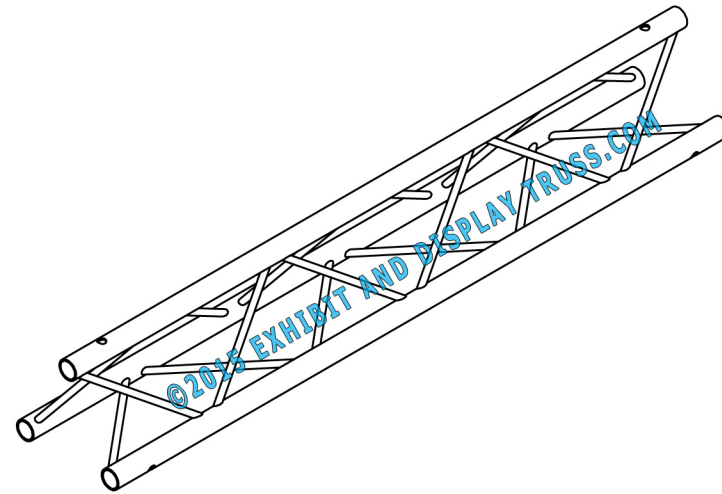
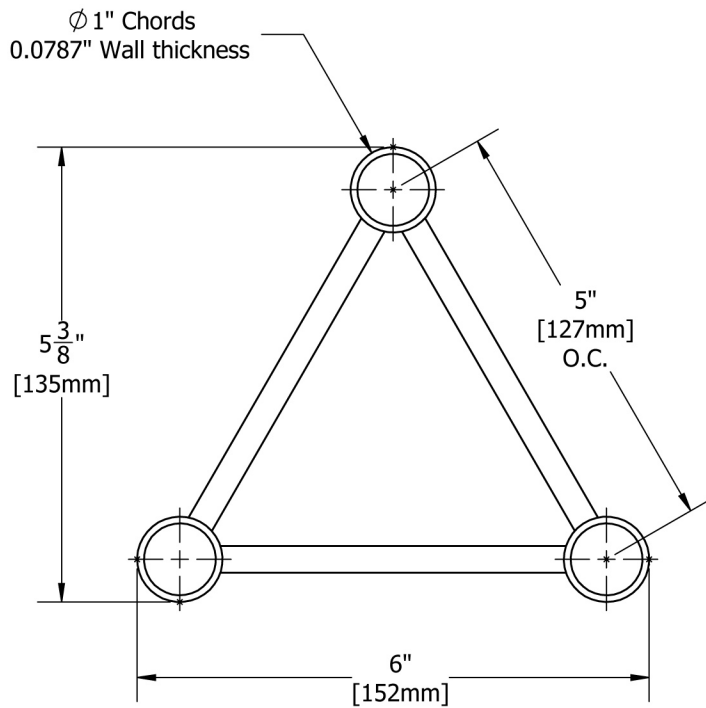
# 6" WIDE TRI TRUSS

6" Wide Aluminum Truss. 1" Chords with 5/16" Webs

©2015 EXHIBIT AND DISPLAY TRUSS.COM

## Truss Profile

6" Wide Triangle Truss  
1"Ø Chords, 5/16"Ø Webs



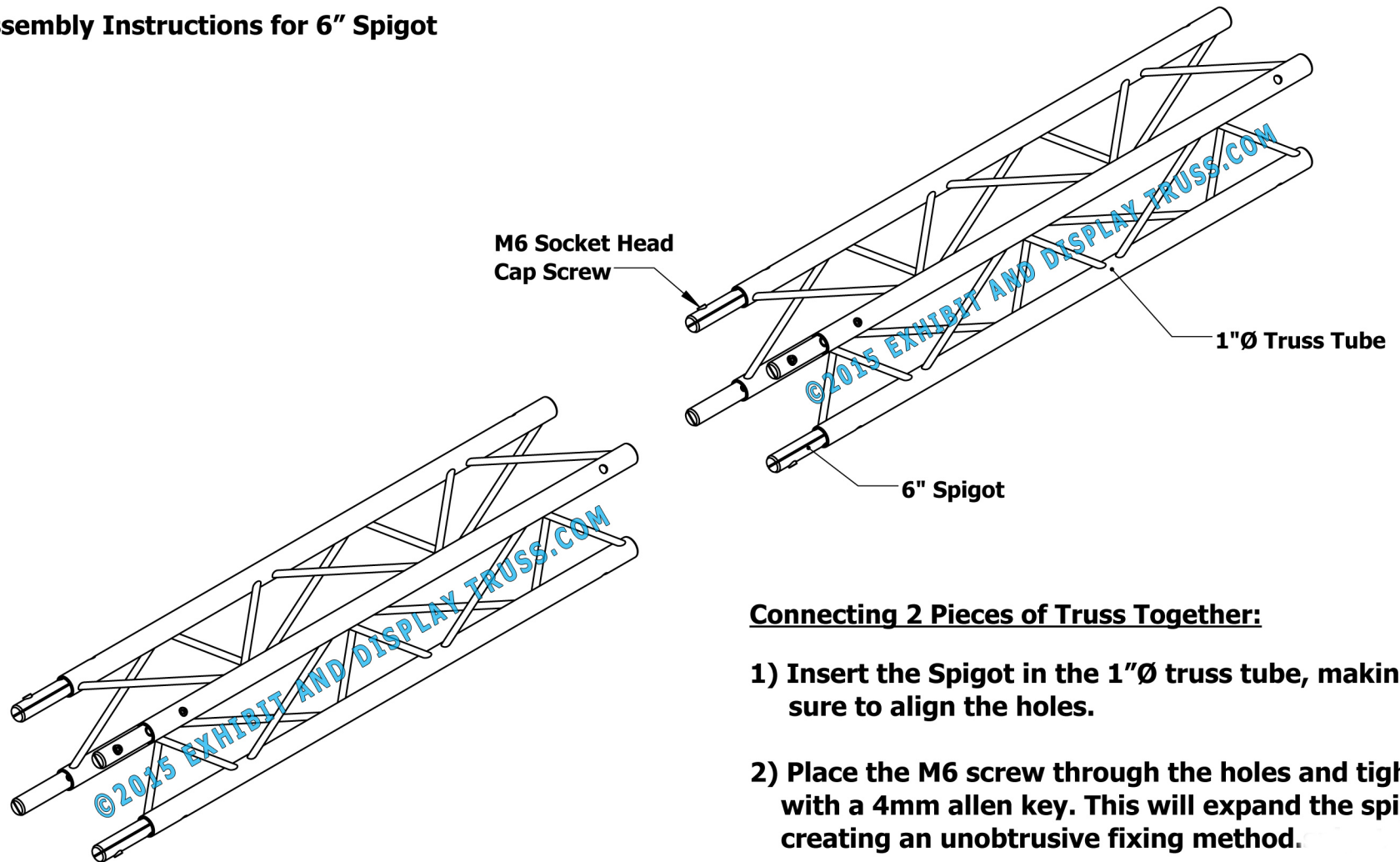


# 1" CONNECTION INSERT

Fits all 1" Tube

©2015 EXHIBIT AND DISPLAY TRUSS.COM

## Assembly Instructions for 6" Spigot



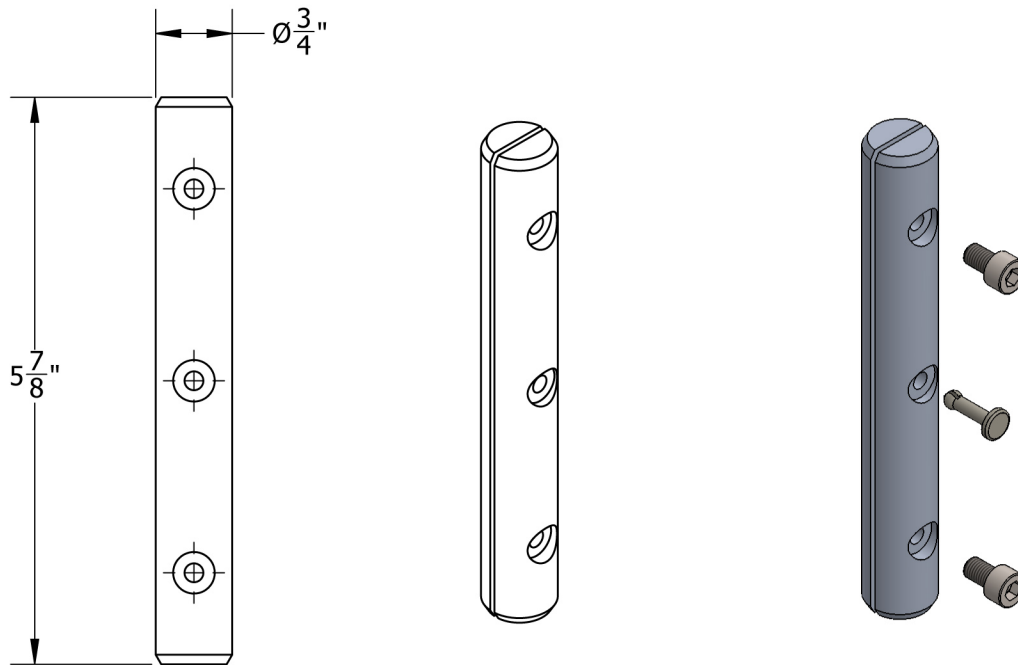
### Connecting 2 Pieces of Truss Together:

- 1) Insert the Spigot in the 1"Ø truss tube, making sure to align the holes.
- 2) Place the M6 screw through the holes and tighten with a 4mm allen key. This will expand the spigot, creating an unobtrusive fixing method.
- 3) Place the other 1"Ø tube over the exposed spigot and repeat Step 2.

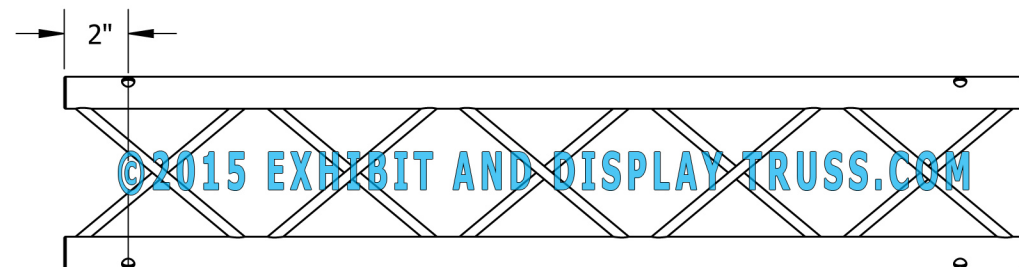
# 1" CONNECTION INSERT

Fits all 1" Tube

©2015 EXHIBIT AND DISPLAY TRUSS.COM



Spigot used on 6" truss



6" Truss