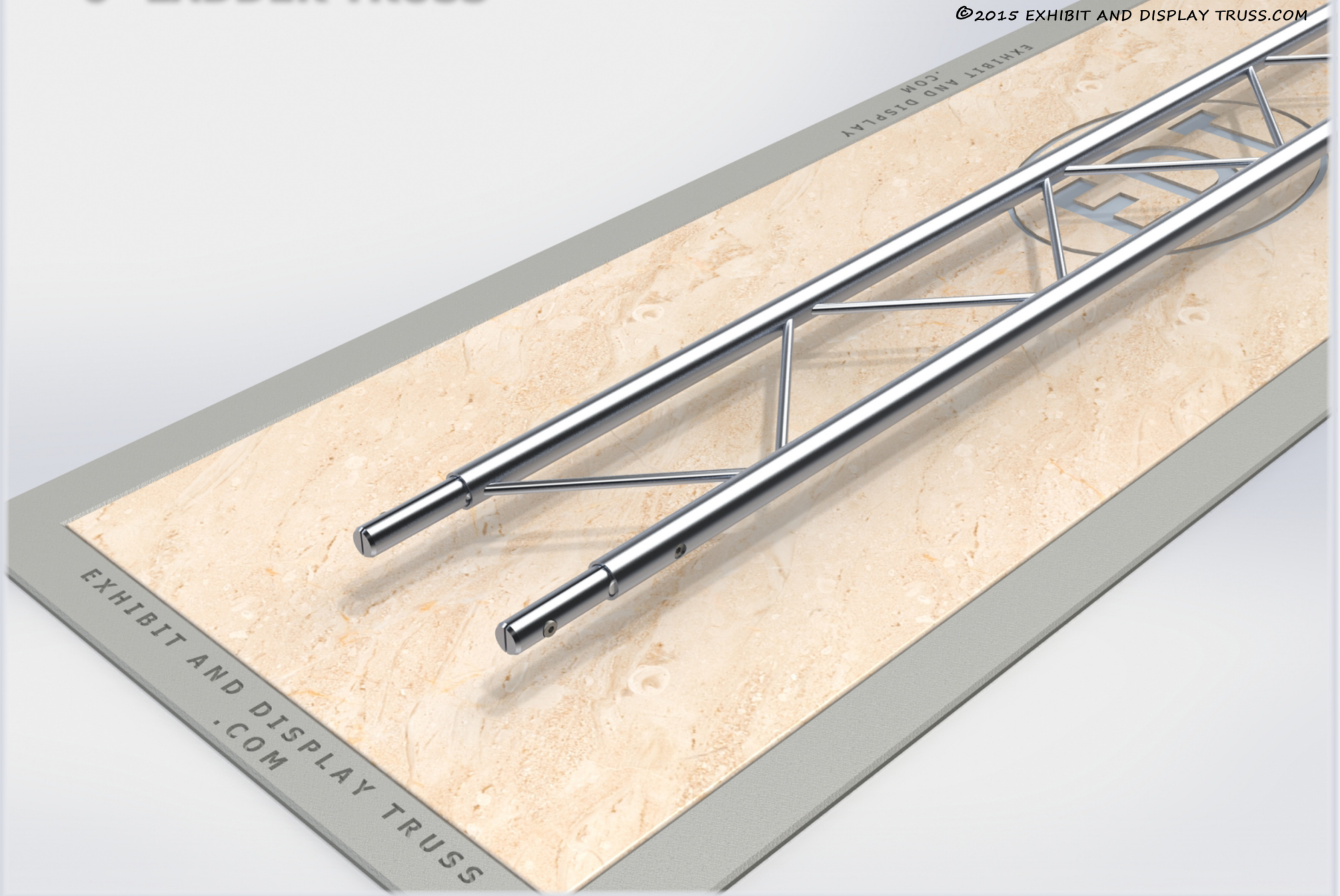


6" LADDER TRUSS

6" Wide Aluminum Truss. 1" Chords with 5/16" Webs

©2015 EXHIBIT AND DISPLAY TRUSS.COM



Toll Free: 855-323-4866
Email: info@exhibitanddisplaytruss.com

ExhibitAndDisplayTruss.com

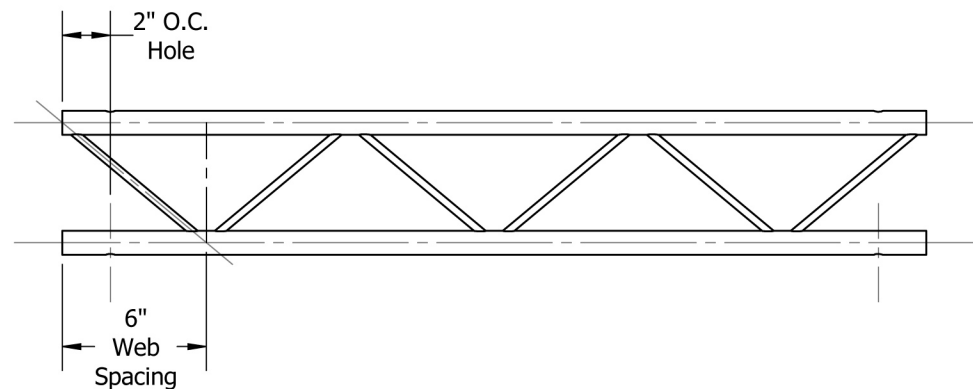
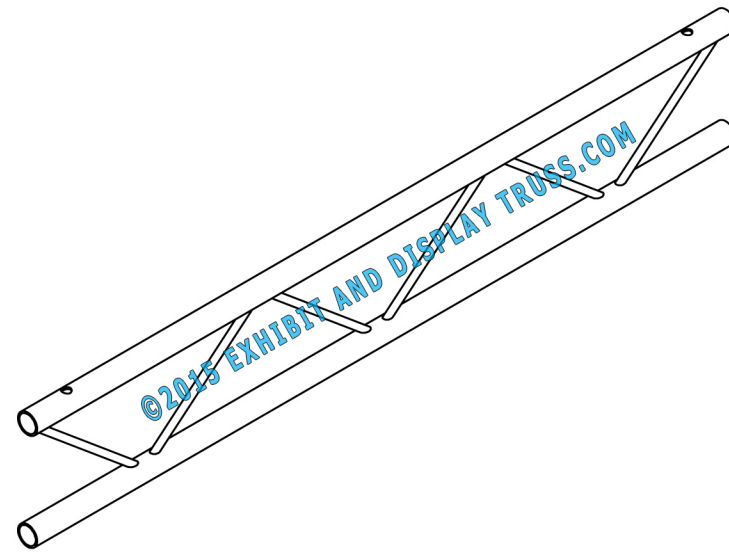
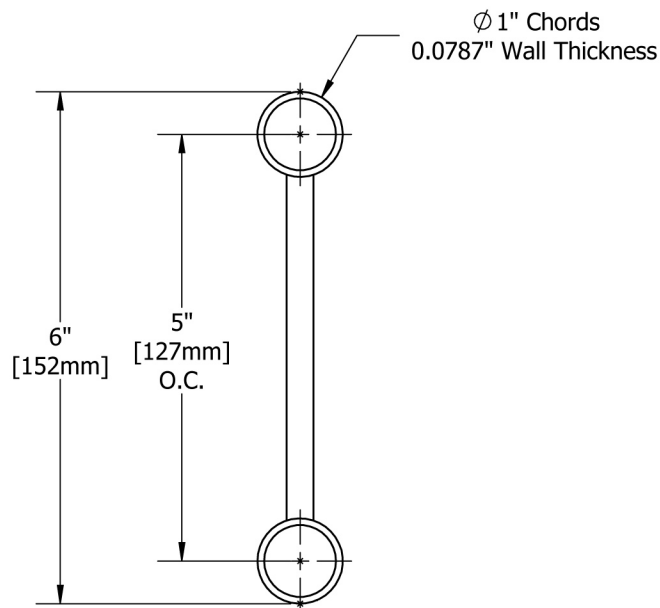
6" WIDE LADDER TRUSS

6" Wide Aluminum Truss. 1" Chords with 5/16" Webs

©2015 EXHIBIT AND DISPLAY TRUSS.COM

Truss Profile

6" Wide Ladder Truss
1" \varnothing Chords, 5/16" \varnothing Webs

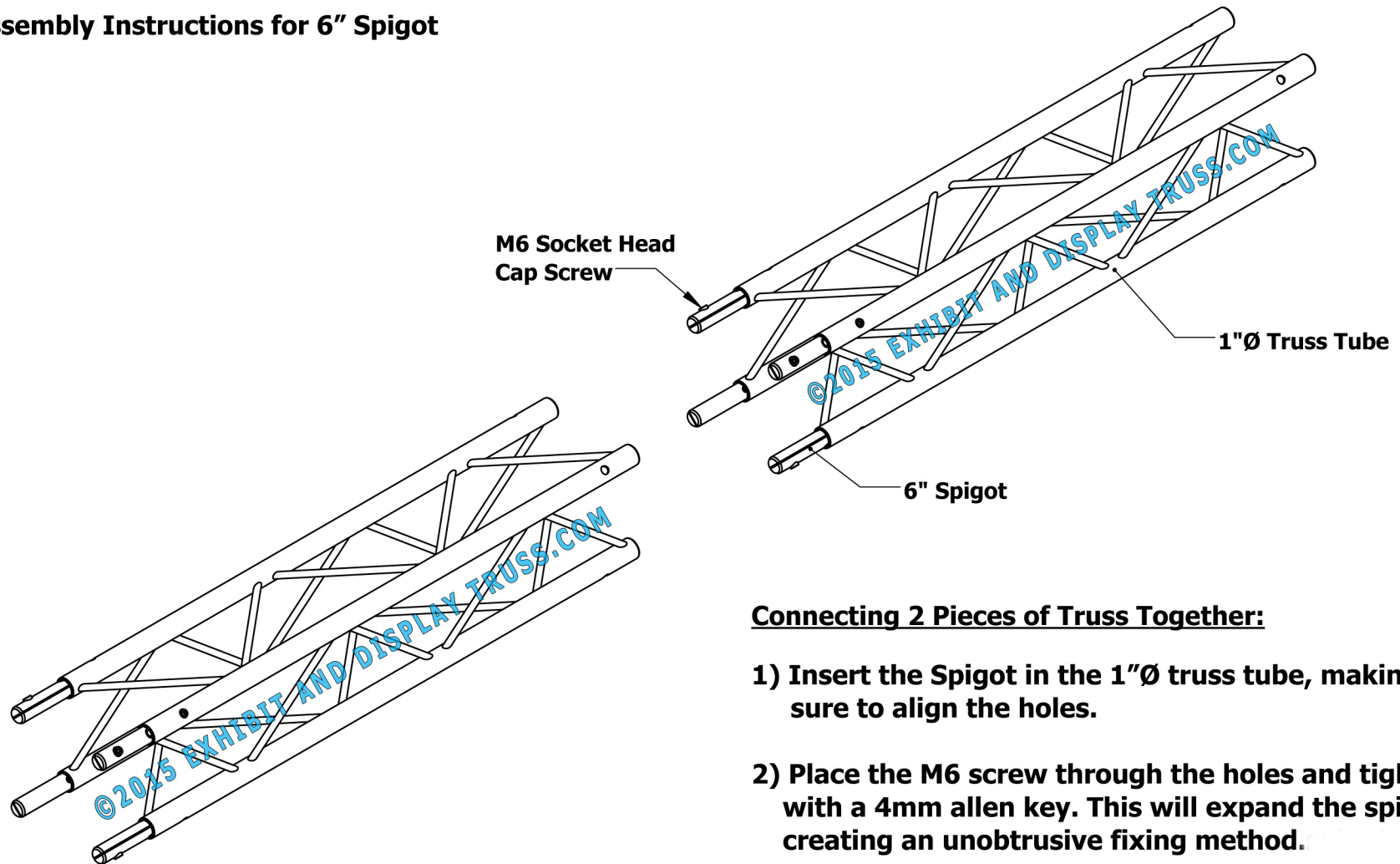


1" CONNECTION INSERT

Fits all 1" Tube

©2015 EXHIBIT AND DISPLAY TRUSS.COM

Assembly Instructions for 6" Spigot



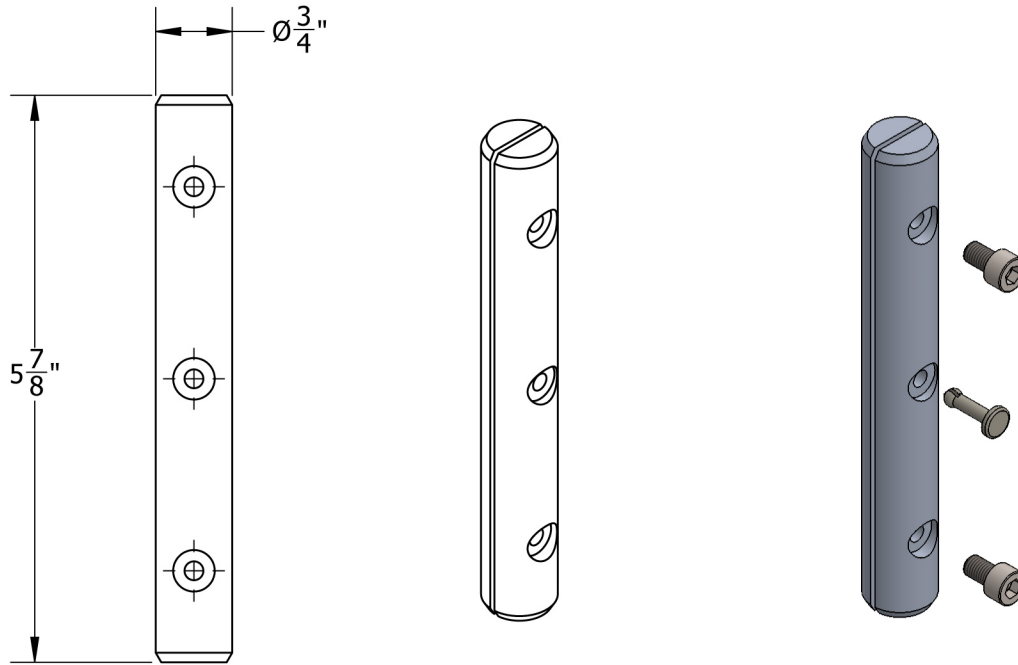
Connecting 2 Pieces of Truss Together:

- 1) Insert the Spigot in the 1"Ø truss tube, making sure to align the holes.
- 2) Place the M6 screw through the holes and tighten with a 4mm allen key. This will expand the spigot, creating an unobtrusive fixing method.
- 3) Place the other 1"Ø tube over the exposed spigot and repeat Step 2.

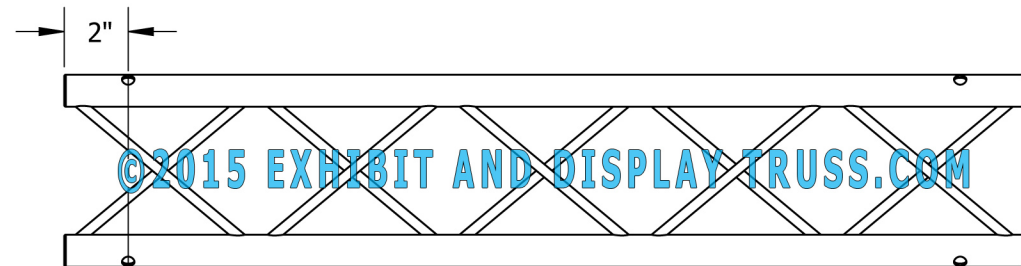
1" CONNECTION INSERT

Fits all 1" Tube

©2015 EXHIBIT AND DISPLAY TRUSS.COM



Spigot used on 6" truss



6" Truss