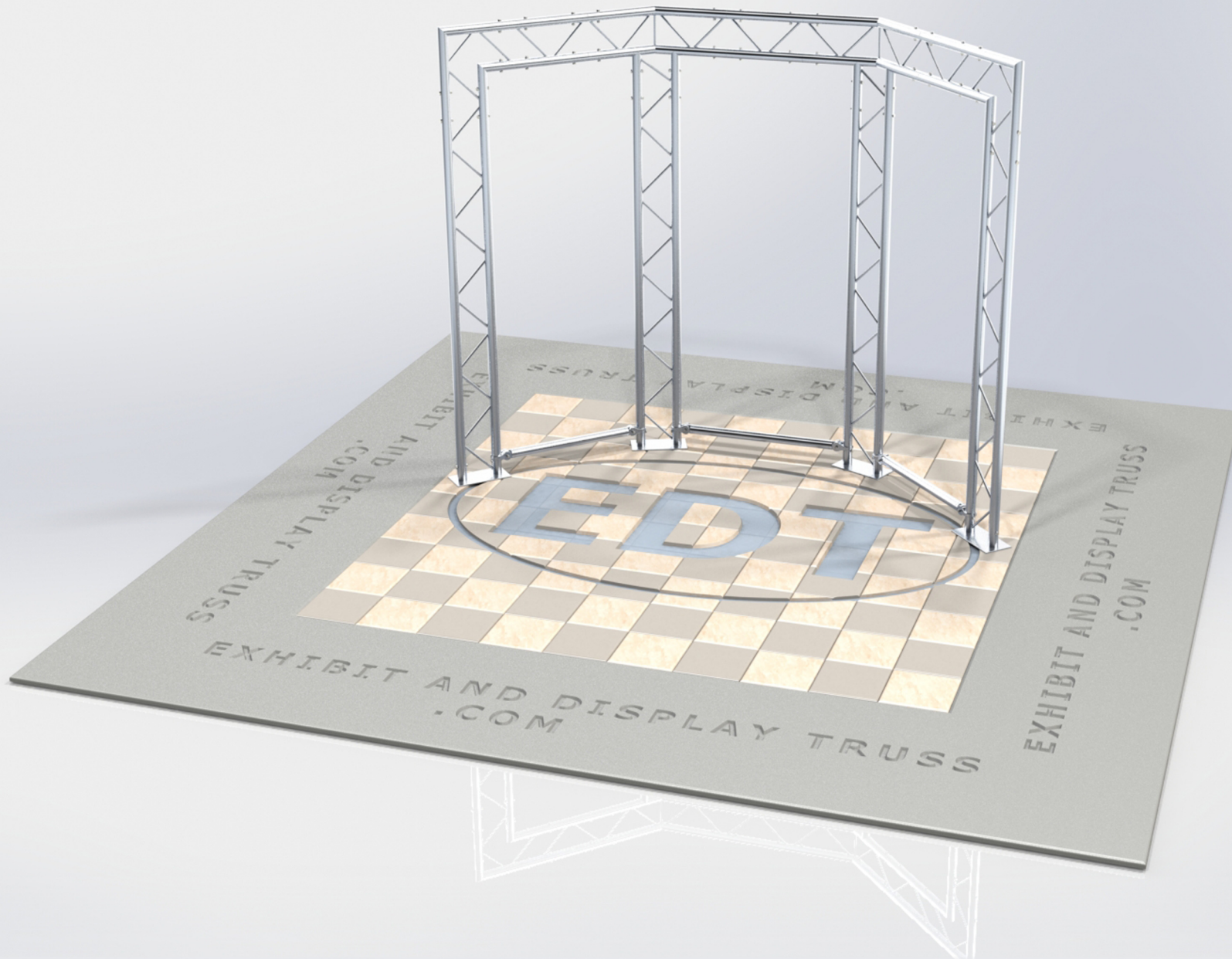


KIT: A36-102

Portable Backdrop/Banner Frame

10" Wide Aluminum Truss. 2" Chords with 1/2" Webs

©2015 EXHIBIT AND DISPLAY TRUSS.COM



Toll Free: 855-323-4866
Email: info@exhibitanddisplaytruss.com

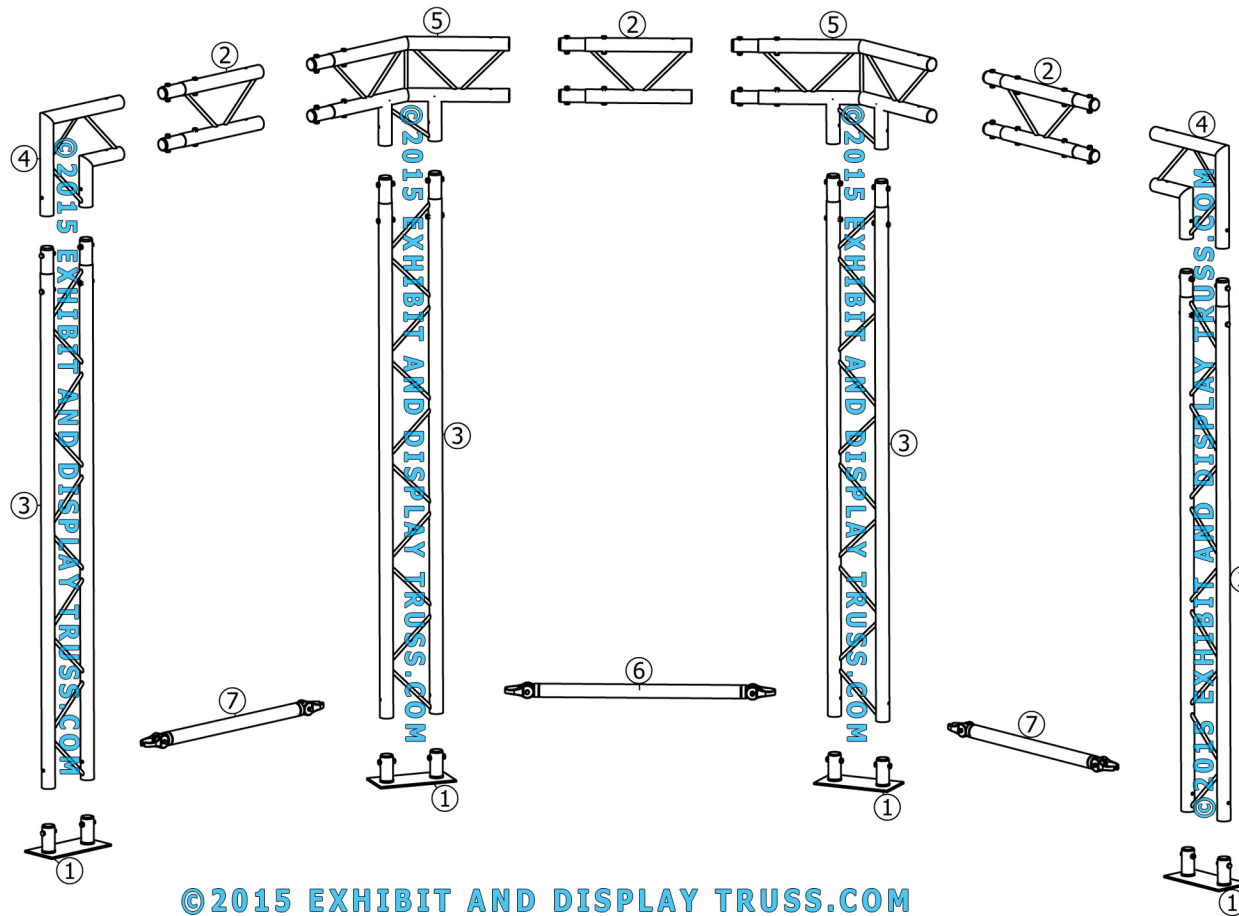
ExhibitAndDisplayTruss.com

KIT: A36-102

10" Wide Aluminum Truss. 2" Chords with 1/2" Webs

Portable Backdrop/Banner Frame

©2015 EXHIBIT AND DISPLAY TRUSS.COM



EXPLODED VIEW

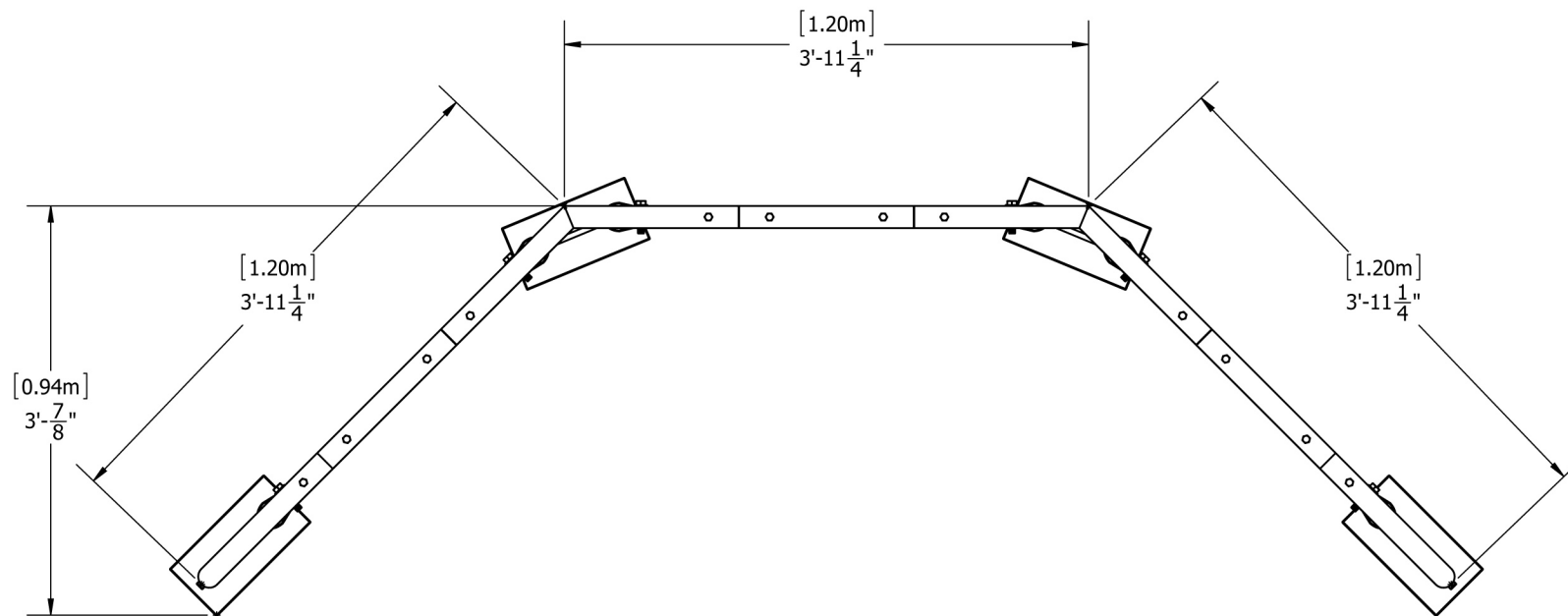
ITEM NO.	PART NUMBER	DESCRIPTION	QTY.
①	EDT10-BP2	Ladder Base Plate	4
②	EDT10-L0.4	0.4m Ladder Truss	3
③	EDT10-L2.0	2.0m Ladder Truss	4
④	EDT10-L2W90H	2 Way 90° Junction Horizontal	2
⑤	EDT10-L3W135V	3 Way 135° Junction Vertical	2
⑥	EDT2-STBc	Single Tube Brace (Center)	1
⑦	EDT2-STBs	Single Tube Brace (Side)	2

KIT: A36-102

10" Wide Aluminum Truss. 2" Chords with 1/2" Webs

Portable Backdrop/Banner Frame

©2015 EXHIBIT AND DISPLAY TRUSS.COM



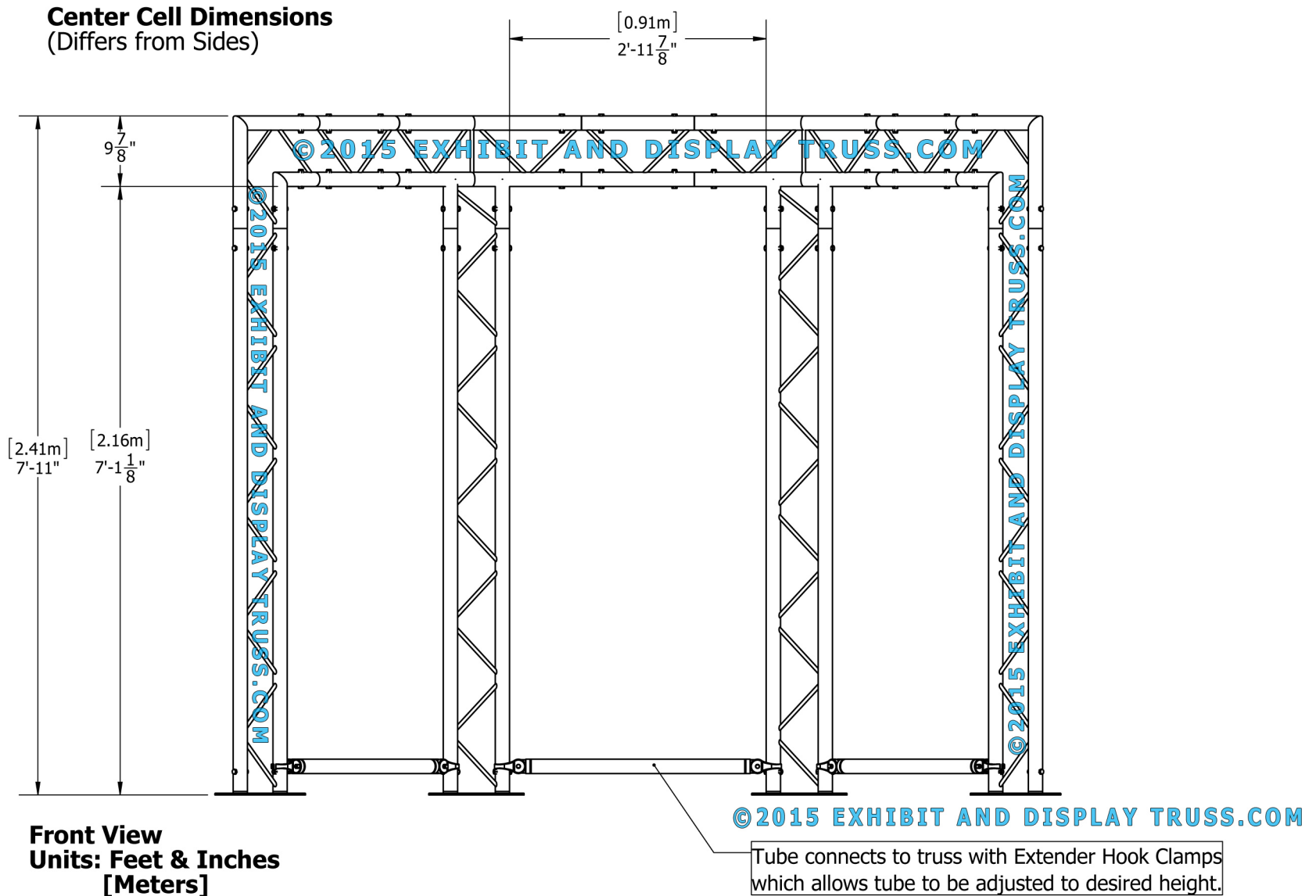
Top View
Units: Feet & Inches
[Meters]

KIT: A36-102

10" Wide Aluminum Truss. 2" Chords with 1/2" Webs

Portable Backdrop/Banner Frame

©2015 EXHIBIT AND DISPLAY TRUSS.COM



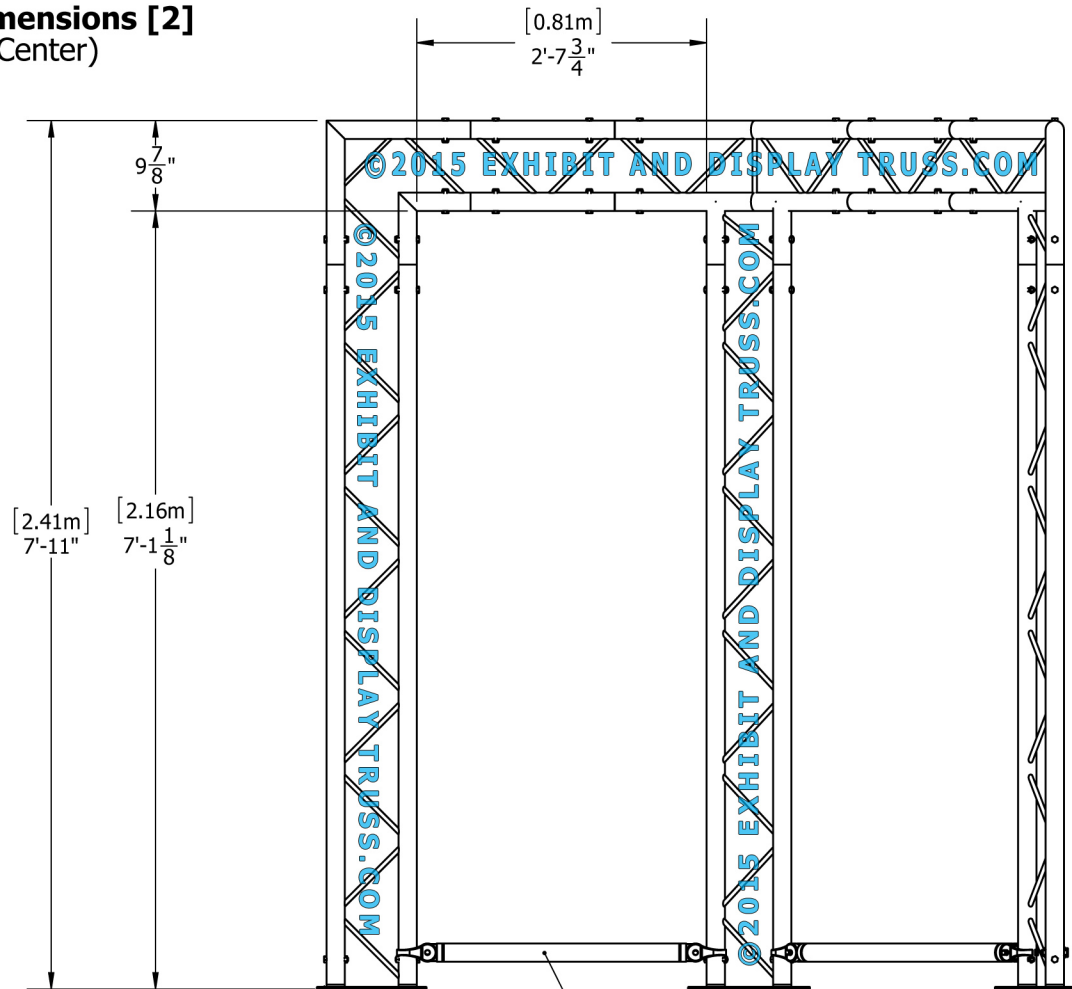
KIT: A36-102

10" Wide Aluminum Truss. 2" Chords with 1/2" Webs

Portable Backdrop/Banner Frame

©2015 EXHIBIT AND DISPLAY TRUSS.COM

Side Cell Dimensions [2]
(Differs from Center)



Side View
Units: Feet & Inches
[Meters]

©2015 EXHIBIT AND DISPLAY TRUSS.COM

Tube connects to truss with Extender Hook Clamps which allows tube to be adjusted to desired height.