

KIT: A45-102

10" Wide Aluminum Truss. 2" Chords with 1/2" Webs

©2015 EXHIBIT AND DISPLAY TRUSS.COM



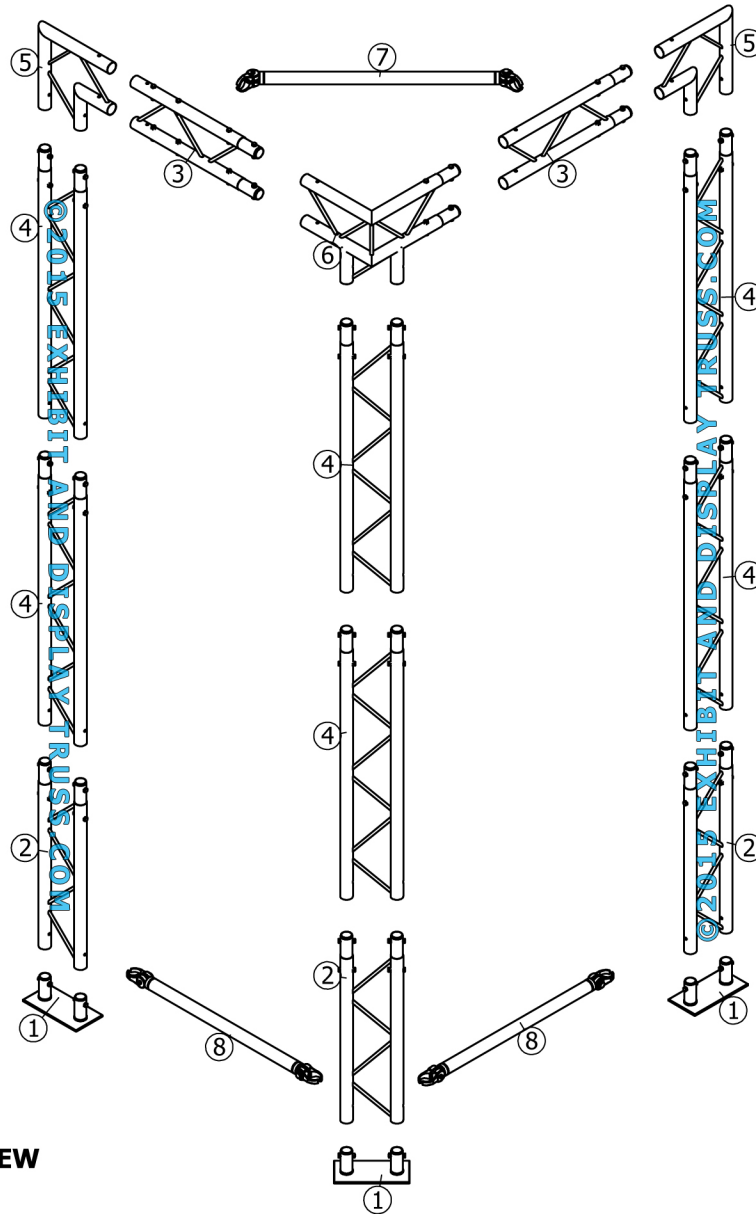
Toll Free: 855-323-4866
Email: info@exhibitanddisplaytruss.com

ExhibitAndDisplayTruss.com

KIT: A45-102

10" Wide Aluminum Truss. 2" Chords with 1/2" Webs

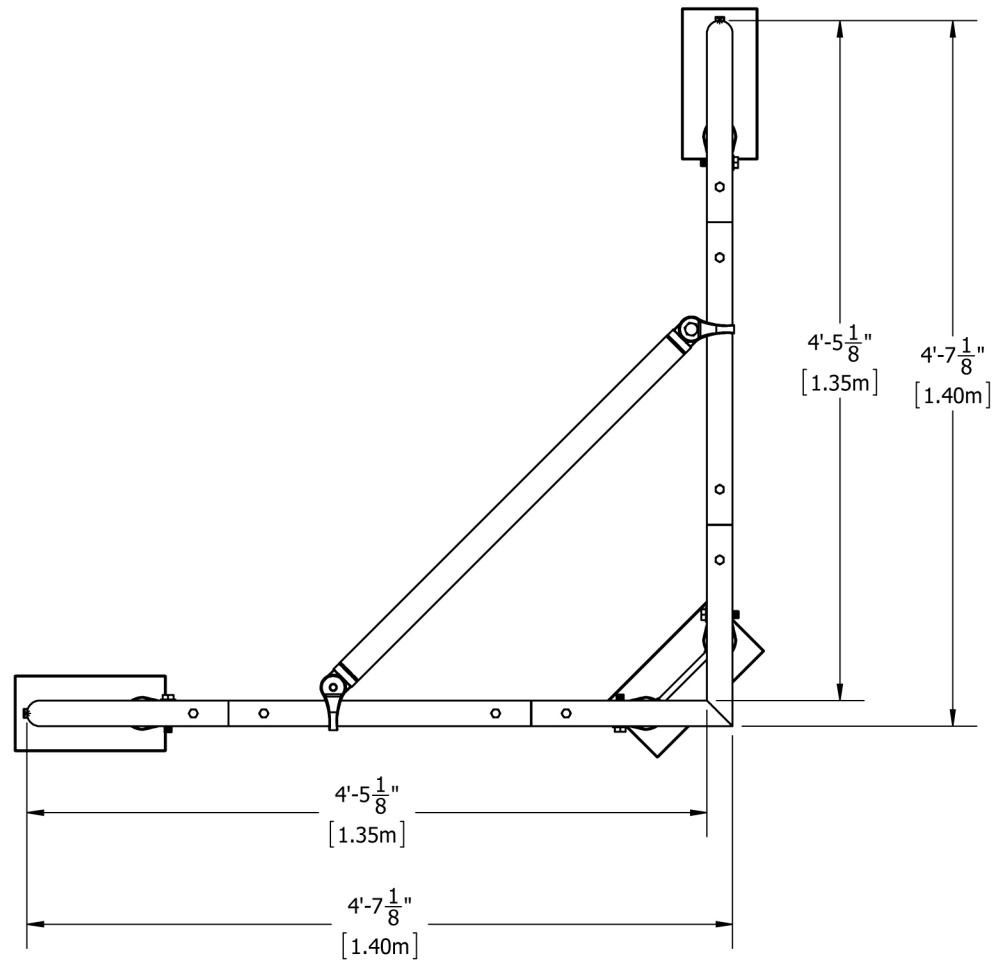
©2015 EXHIBIT AND DISPLAY TRUSS.COM



EXPLODED VIEW

©2015 EXHIBIT AND DISPLAY TRUSS.COM

ITEM NO.	PART NUMBER	DESCRIPTION	QTY.
①	EDT10-BP2	Ladder Base Plate	3
②	EDT10-L0.8	0.8m Ladder Truss	3
③	EDT10-L0.6	0.6m Ladder Truss	2
④	EDT10-L1.2	1.2m Ladder Truss	6
⑤	EDT10-L2W90H	2 Way 90° Junction Horizontal	2
⑥	EDT10-L3W90V	3 Way 90° Junction Vertical	1
⑦	EDT2-STB3	3' Single Tube Brace	1
⑧	EDT2-STB37.75"	37.75" Single Tube Brace	2



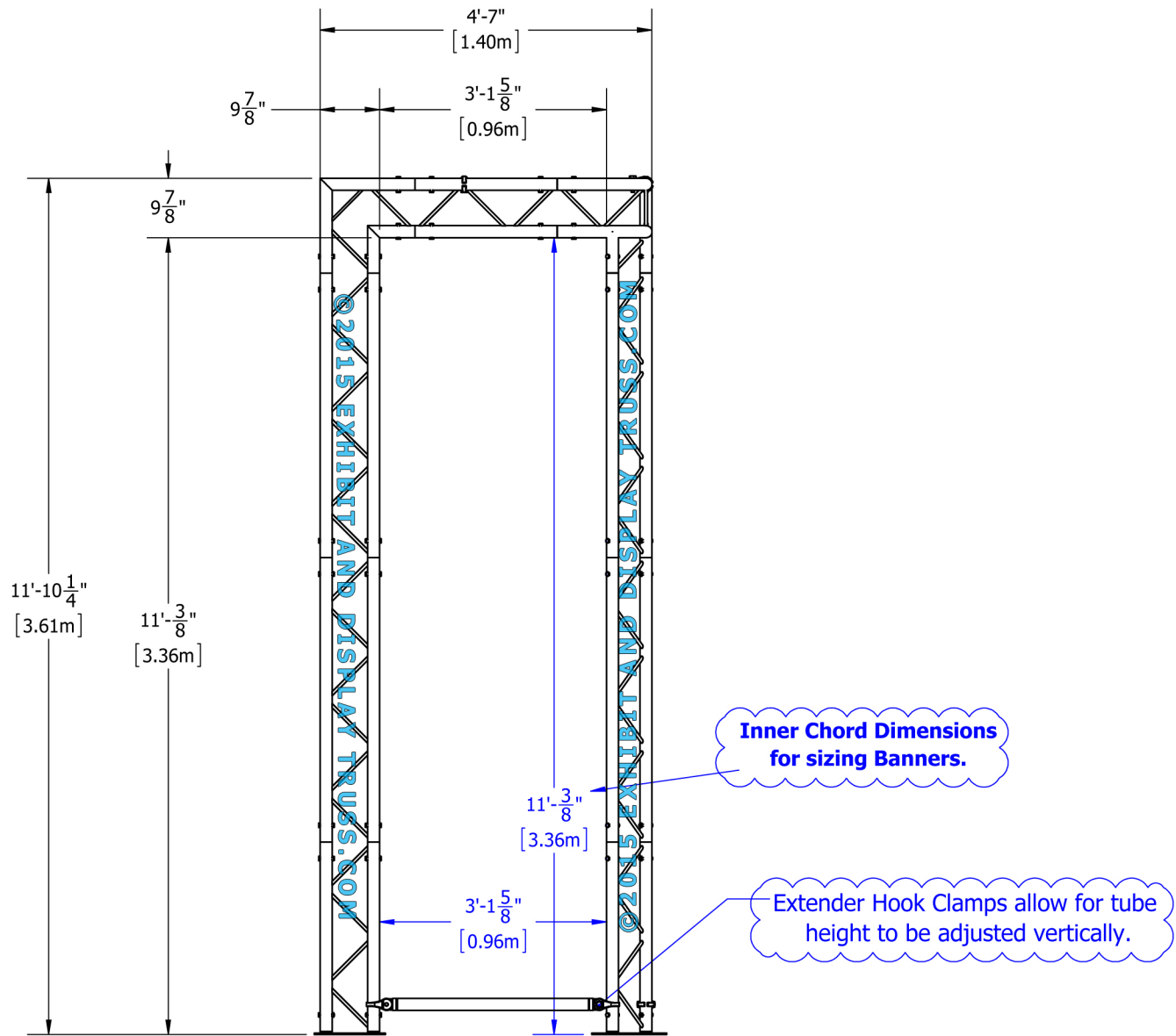
Top View
Units: Feet & Inches
[Meters]

©2015 EXHIBIT AND DISPLAY TRUSS.COM

KIT: A45-102

10" Wide Aluminum Truss. 2" Chords with 1/2" Webs

©2015 EXHIBIT AND DISPLAY TRUSS.COM



Front View
Units: Feet & Inches
[Meters]

©2015 EXHIBIT AND DISPLAY TRUSS.COM

Toll Free: 855-323-4866
Email: info@exhibitanddisplaytruss.com

ExhibitAndDisplayTruss.com