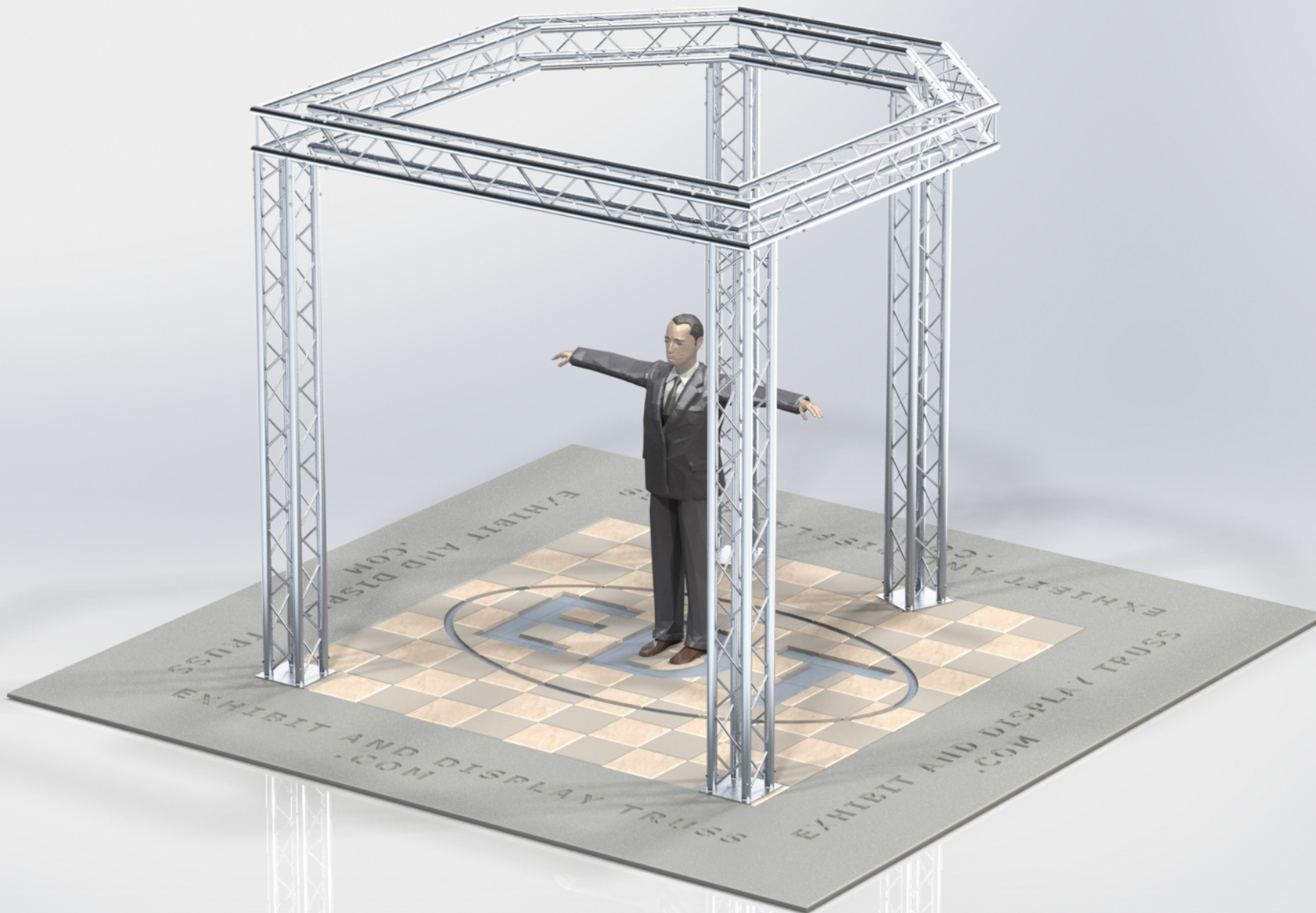


KIT: A46-104

10" Wide Aluminum Truss. 2" Chords with 1/2" Webs

©2015 EXHIBIT AND DISPLAY TRUSS.COM



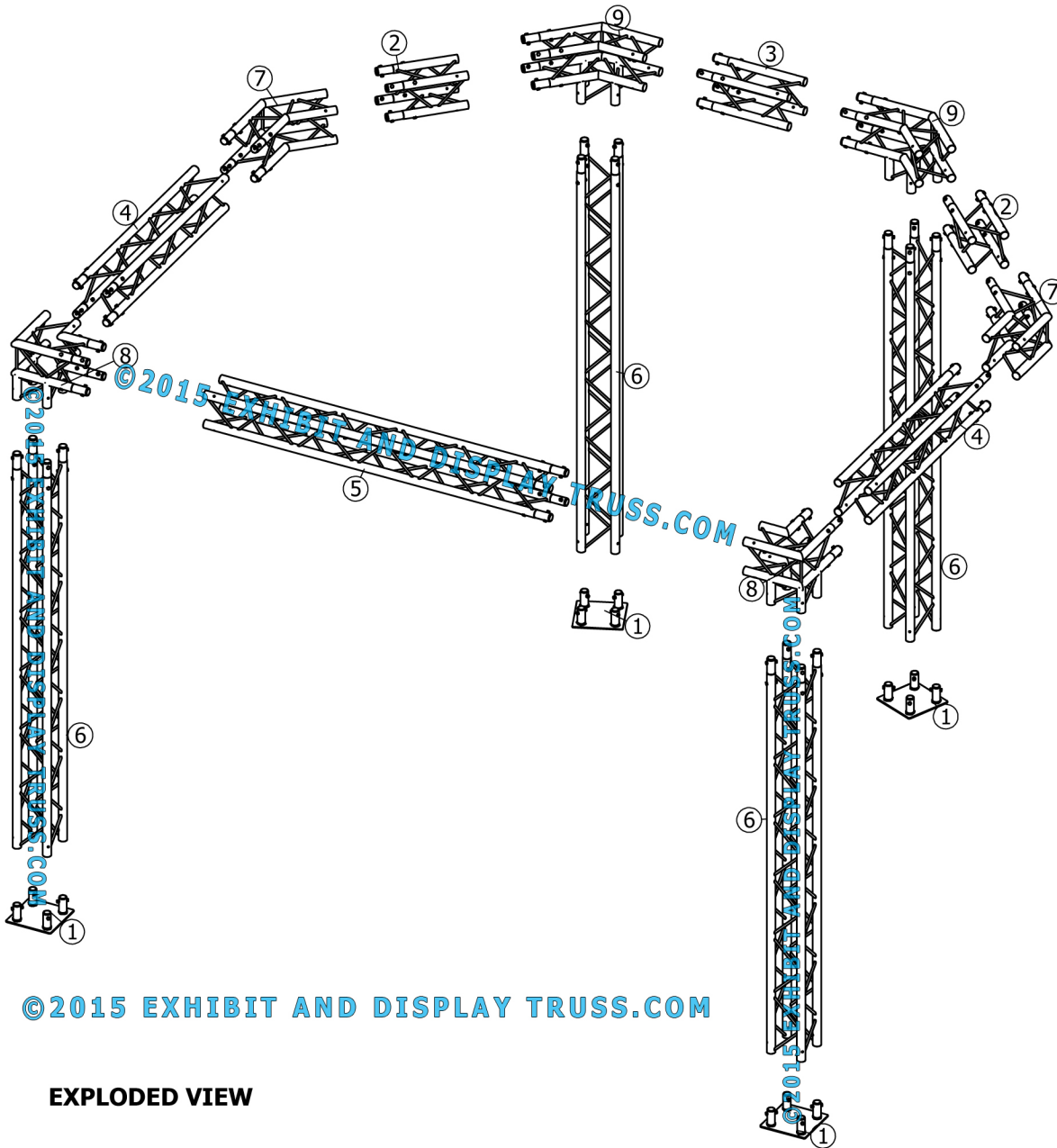
Toll Free: 855-323-4866
Email: info@exhibitanddisplaytruss.com

ExhibitAndDisplayTruss.com

KIT: A46-104

10" Wide Aluminum Truss. 2" Chords with 1/2" Webs

©2015 EXHIBIT AND DISPLAY TRUSS.COM



ITEM NO.	PART NUMBER	DESCRIPTION	QTY.
1	EDT10-BP4	Box Base Plate	4
2	EDT10-B0.4	0.4m Box Truss	2
3	EDT10-B0.5	.5m Box Truss	1
4	EDT10-B1.4	1.4m Box Truss	2
5	EDT10-B2.2	2.2m Box Truss	1
6	EDT10-B2.6	2.6m Box Truss	4
7	EDT10-B2W135	2 Way 135° Junction	2
8	EDT10-B3W90	3 Way 90° Junction	2
9	EDT10-B3W135	3 Way 135° Junction	2

©2015 EXHIBIT AND DISPLAY TRUSS.COM

EXPLODED VIEW

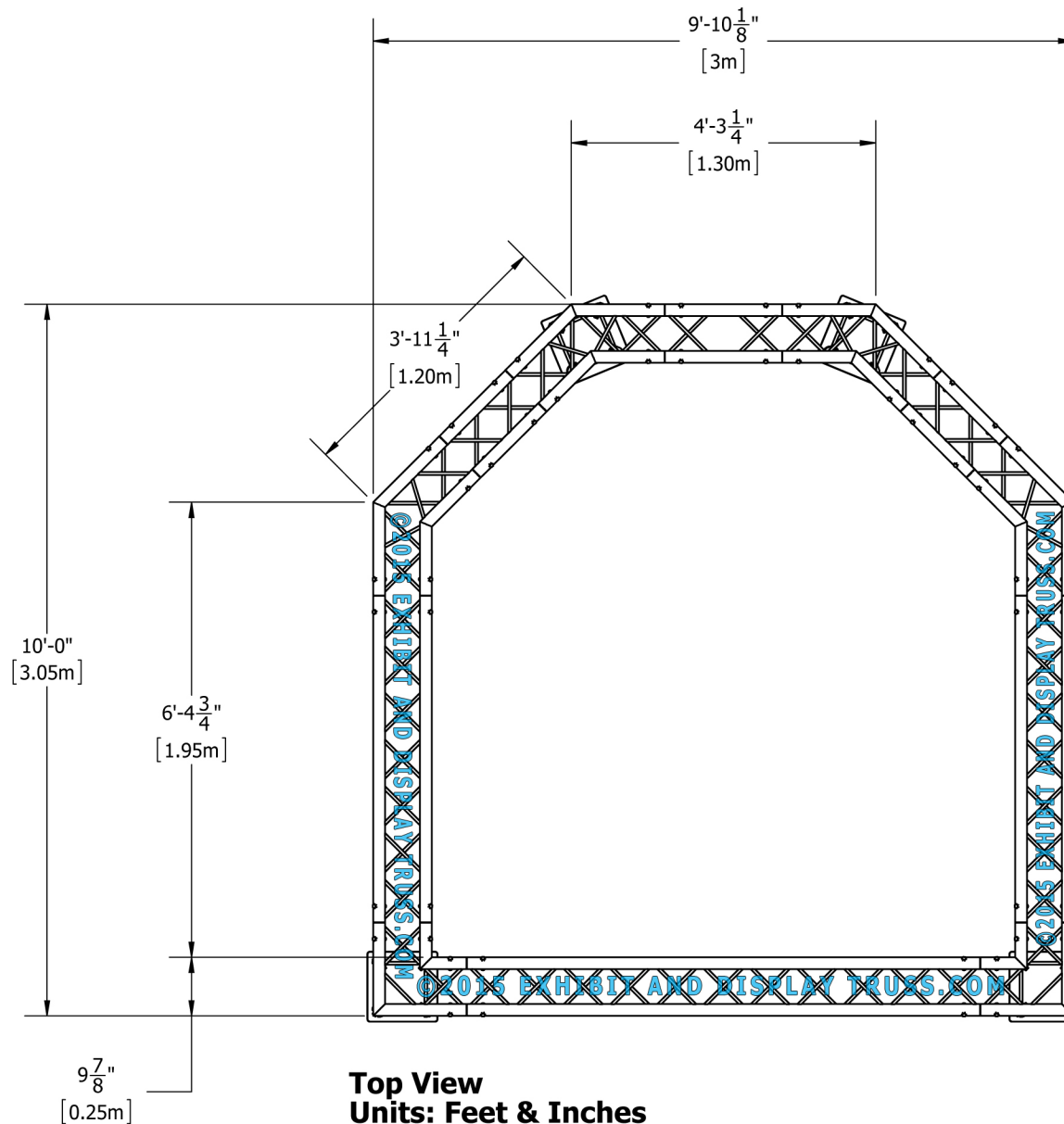
Toll Free: 855-323-4866
 Email: info@exhibitanddisplaytruss.com

ExhibitAndDisplayTruss.com

KIT: A46-104

10" Wide Aluminum Truss. 2" Chords with 1/2" Webs

©2015 EXHIBIT AND DISPLAY TRUSS.COM

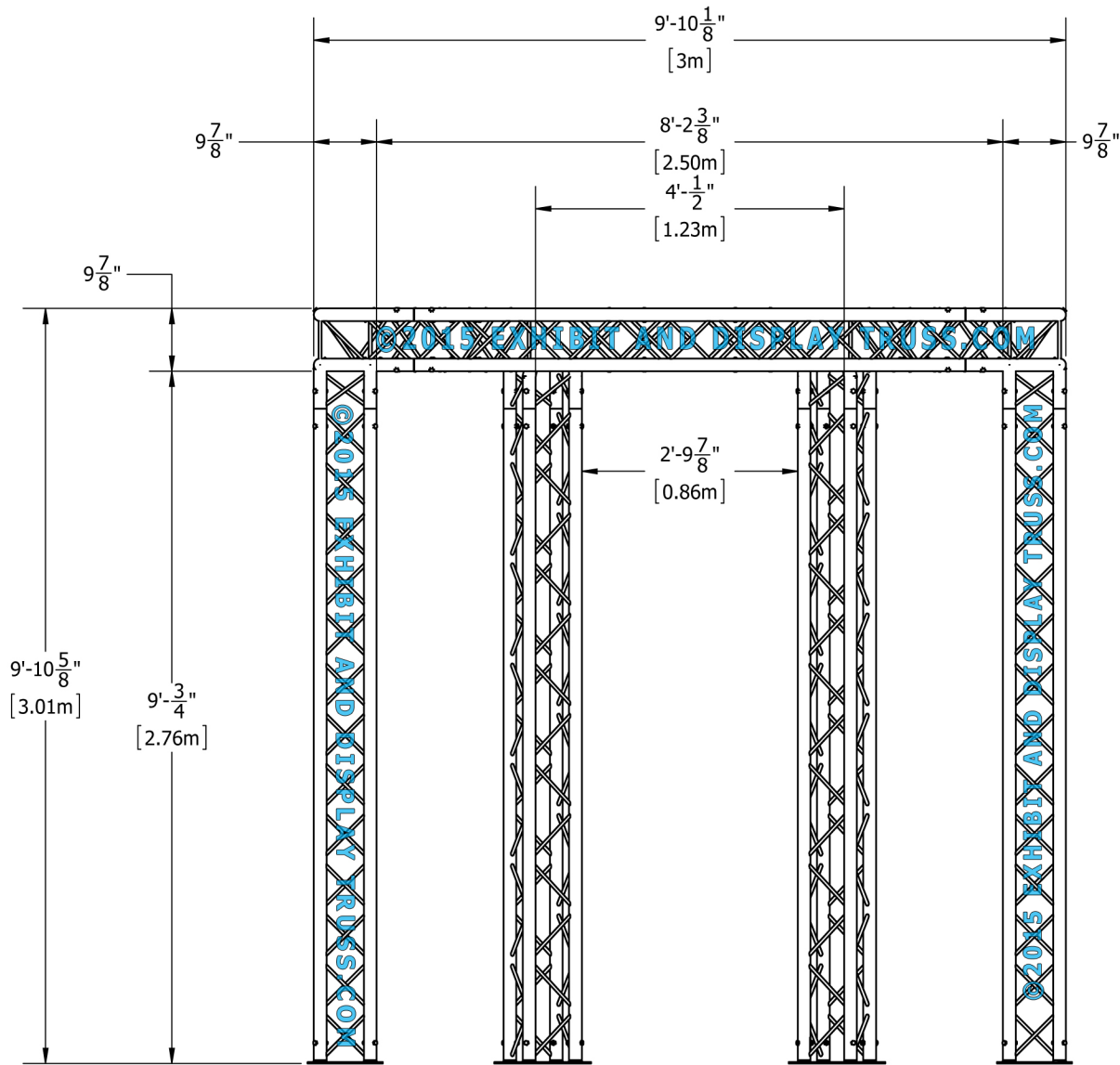


Top View
Units: Feet & Inches
[Meters]

KIT: A46-104

10" Wide Aluminum Truss. 2" Chords with 1/2" Webs

©2015 EXHIBIT AND DISPLAY TRUSS.COM



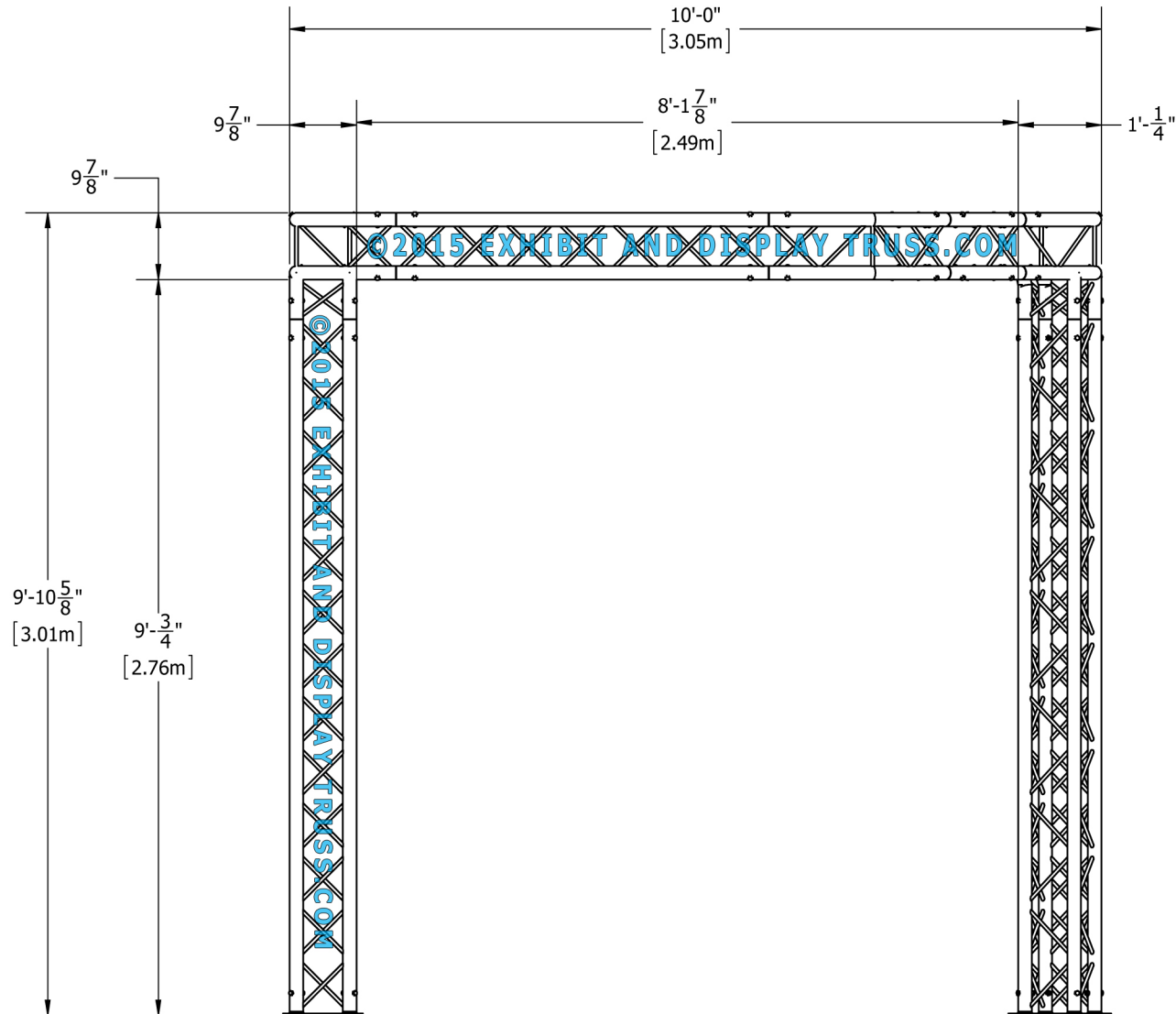
Front View
Units: Feet & Inches
[Meters]

©2015 EXHIBIT AND DISPLAY TRUSS.COM

KIT: A46-104

10" Wide Aluminum Truss. 2" Chords with 1/2" Webs

©2015 EXHIBIT AND DISPLAY TRUSS.COM



Side View
Units: Feet & Inches
[Meters]

©2015 EXHIBIT AND DISPLAY TRUSS.COM