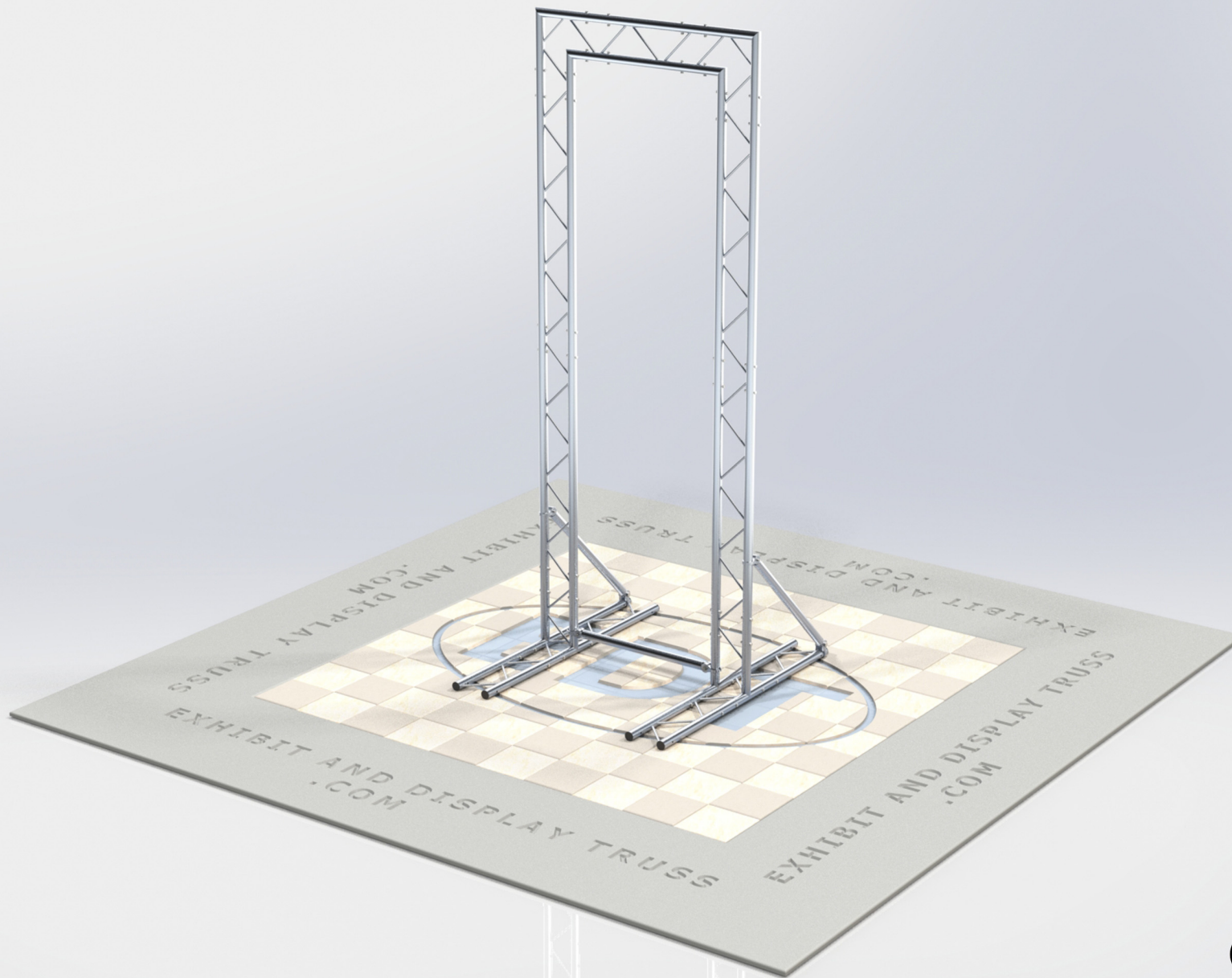


KIT: A57-102

10" Wide Aluminum Truss. 2" Chords with 1/2" Webs

©2022 EXHIBIT AND DISPLAY TRUSS.COM



© copyright
all rights reserved

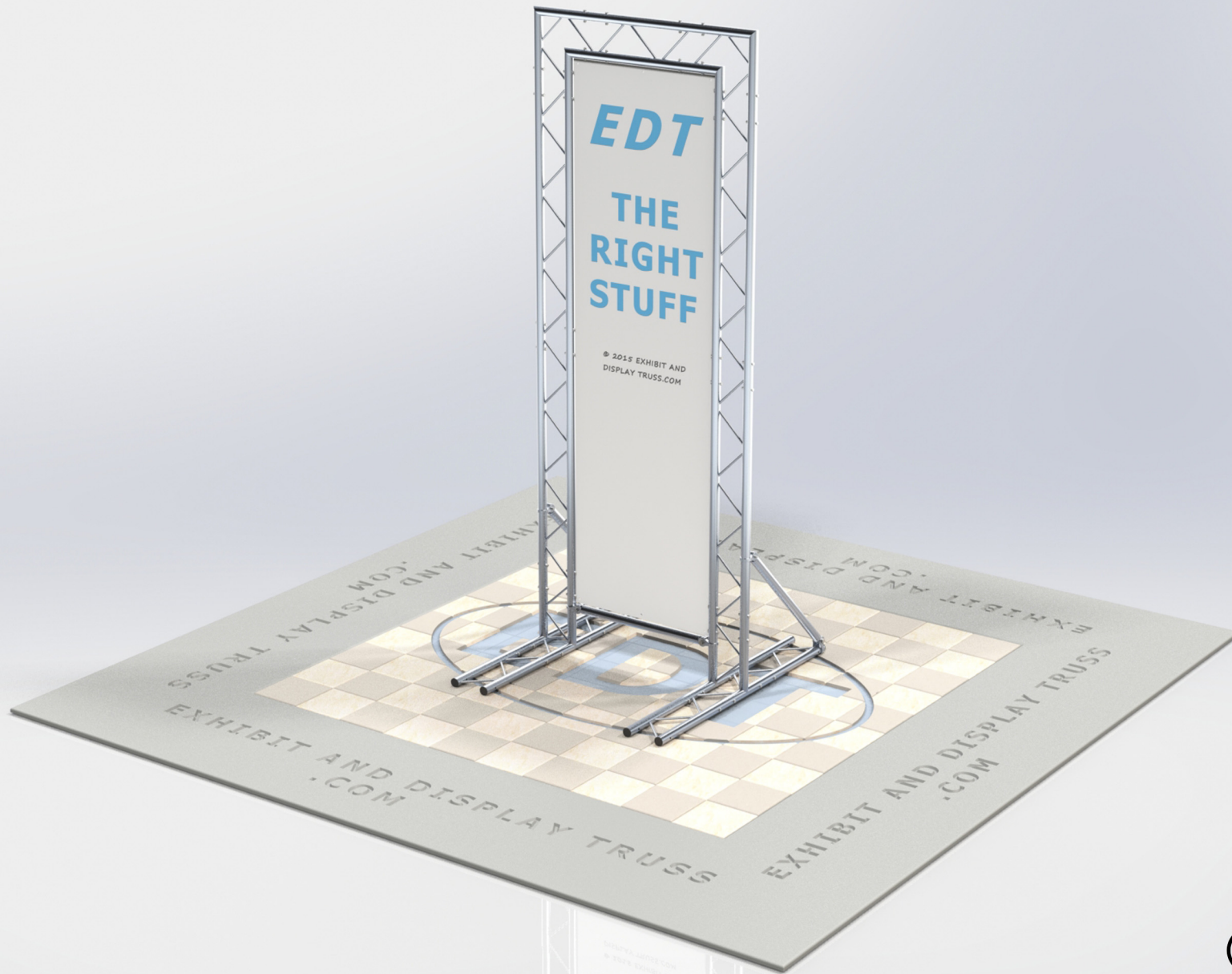
Toll Free: 855-323-4866
Email: info@exhibitanddisplaytruss.com

ExhibitAndDisplayTruss.com

KIT: A57-102

10" Wide Aluminum Truss. 2" Chords with 1/2" Webs

©2022 EXHIBIT AND DISPLAY TRUSS.COM



© copyright
all rights reserved

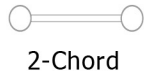
Toll Free: 855-323-4866
Email: info@exhibitanddisplaytruss.com

ExhibitAndDisplayTruss.com

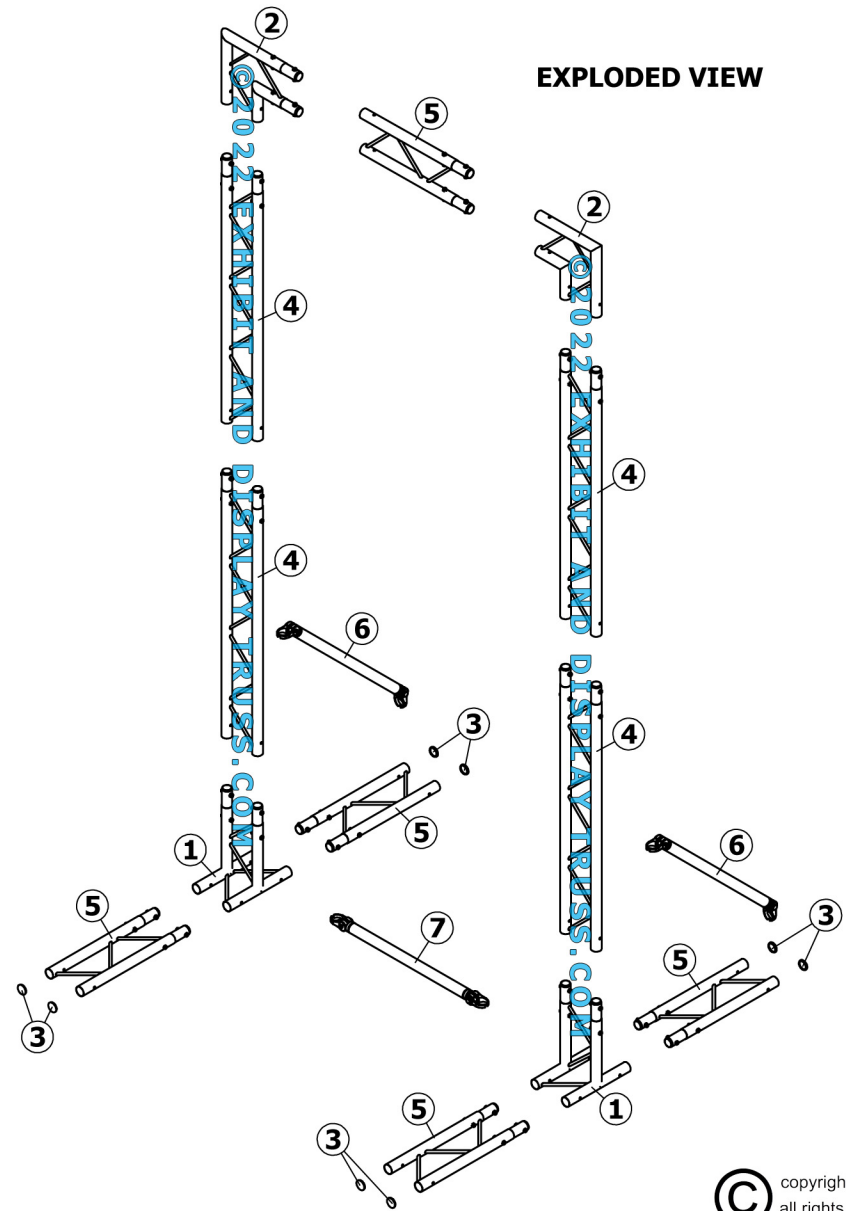
KIT: A57-102

10" Wide Aluminum Truss. 2" Chords with 1/2" Webs

©2022 EXHIBIT AND DISPLAY TRUSS.COM



ITEM NO.	PART NUMBER	DESCRIPTION	QTY.
1	EDT10-L3WTV	3 Way 90° "T" Junction Vertical	2
2	EDT10-L2W90H	2 Way 90° Junction Horizontal	2
3	EDT2-ECB	2" End Cap Black	8
4	EDT10-L1.4	1.4m Ladder Truss	4
5	EDT10-L0.6	0.6m Ladder Truss	5
6	EDT2-STB3	3' Single Tube Brace	2
7	EDT2-STB0.942C	Custom Single Tube Brace	1



© copyright all rights reserved

Toll Free: 855-323-4866
 Email: info@exhibitanddisplaytruss.com

ExhibitAndDisplayTruss.com

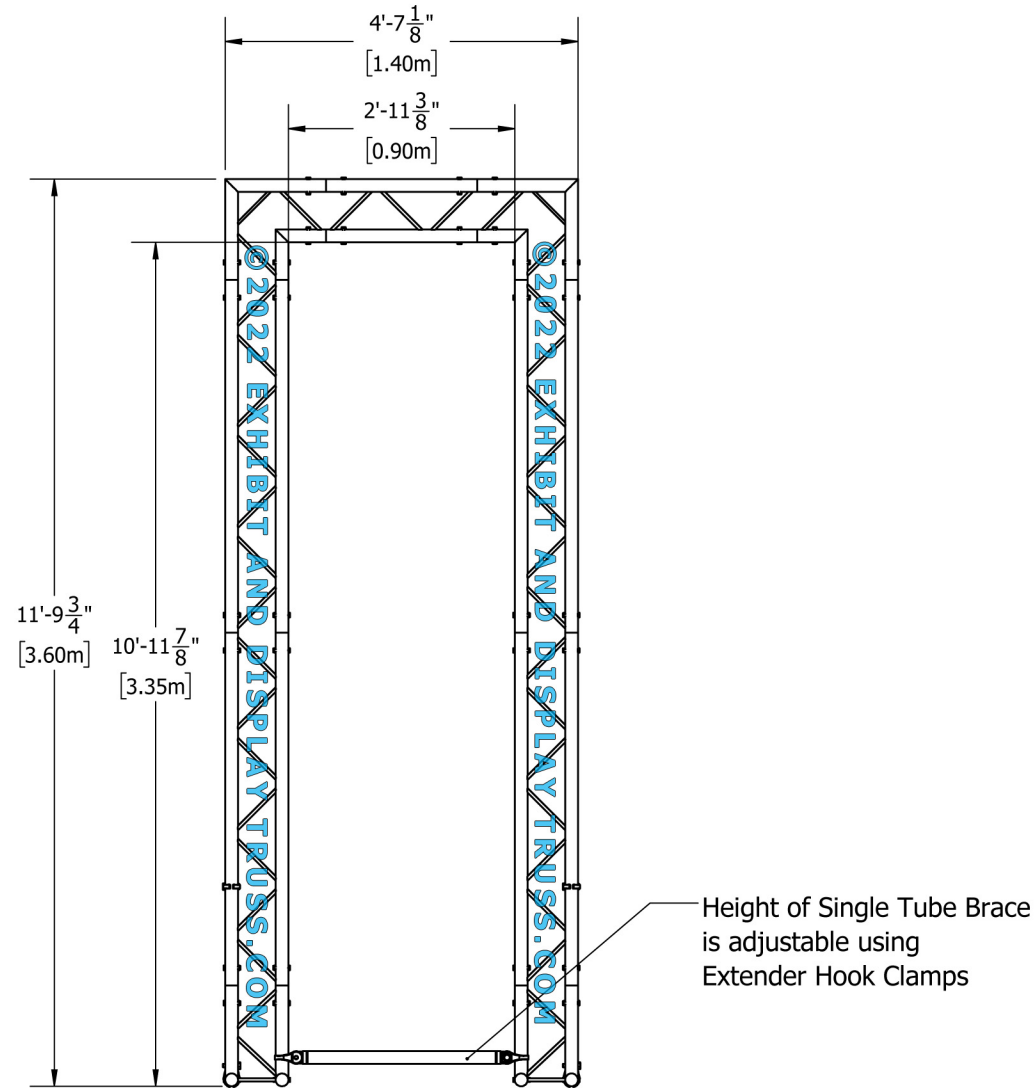
KIT: A57-102

10" Wide Aluminum Truss. 2" Chords with 1/2" Webs

©2022 EXHIBIT AND DISPLAY TRUSS.COM



2-Chord



Front View
Units: Feet & Inches
[Meters]

© copyright
all rights reserved

Toll Free: 855-323-4866
Email: info@exhibitanddisplaytruss.com

ExhibitAndDisplayTruss.com

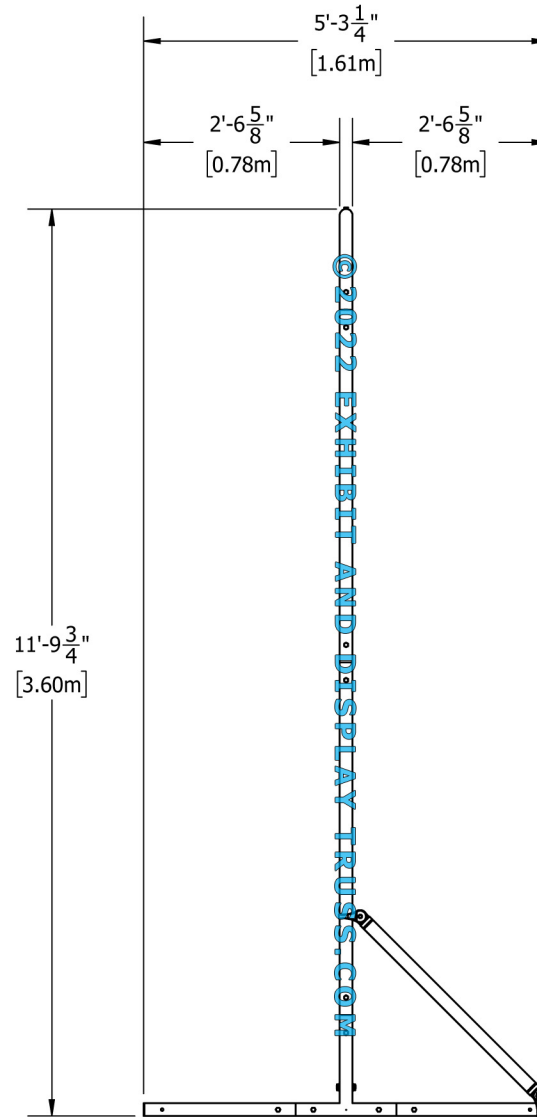
KIT: A57-102

10" Wide Aluminum Truss. 2" Chords with 1/2" Webs

©2022 EXHIBIT AND DISPLAY TRUSS.COM



2-Chord



Side View
Units: Feet & Inches
[Meters]

© copyright
all rights reserved

Toll Free: 855-323-4866
Email: info@exhibitanddisplaytruss.com

ExhibitAndDisplayTruss.com

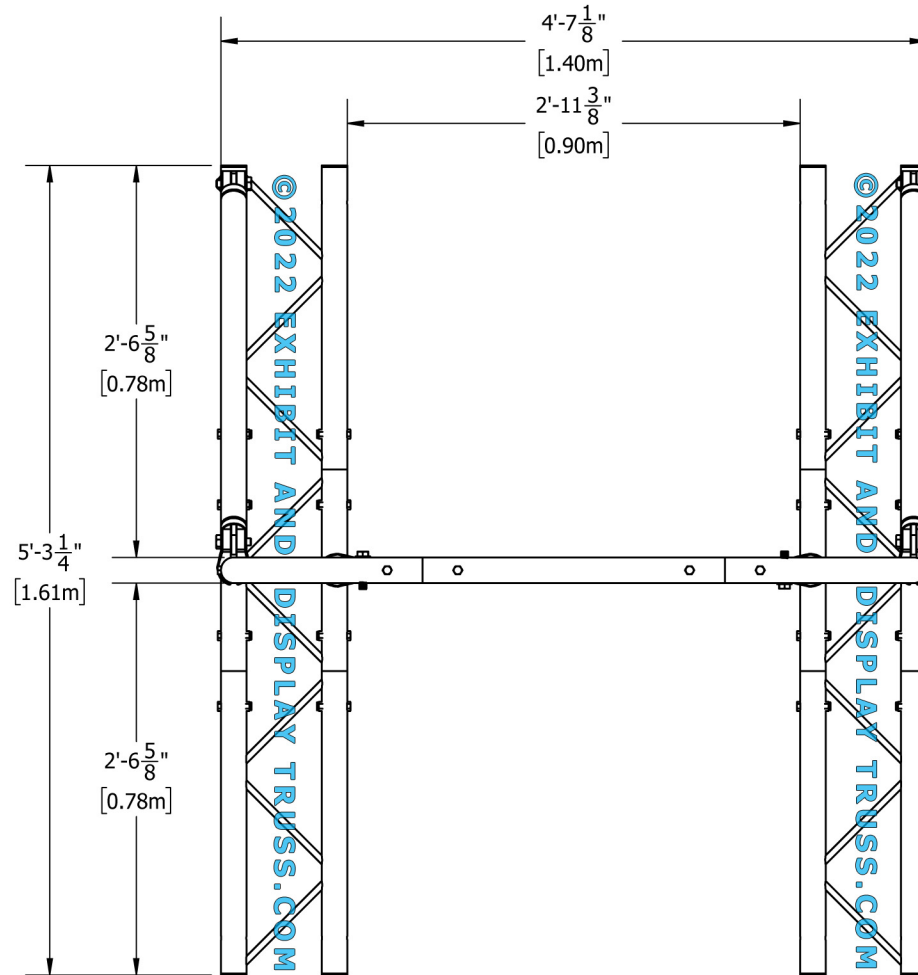
KIT: A57-102

10" Wide Aluminum Truss. 2" Chords with 1/2" Webs

©2022 EXHIBIT AND DISPLAY TRUSS.COM



2-Chord



Top View
Units: Feet & Inches
[Meters]

© copyright
all rights reserved

Toll Free: 855-323-4866
Email: info@exhibitanddisplaytruss.com

ExhibitAndDisplayTruss.com