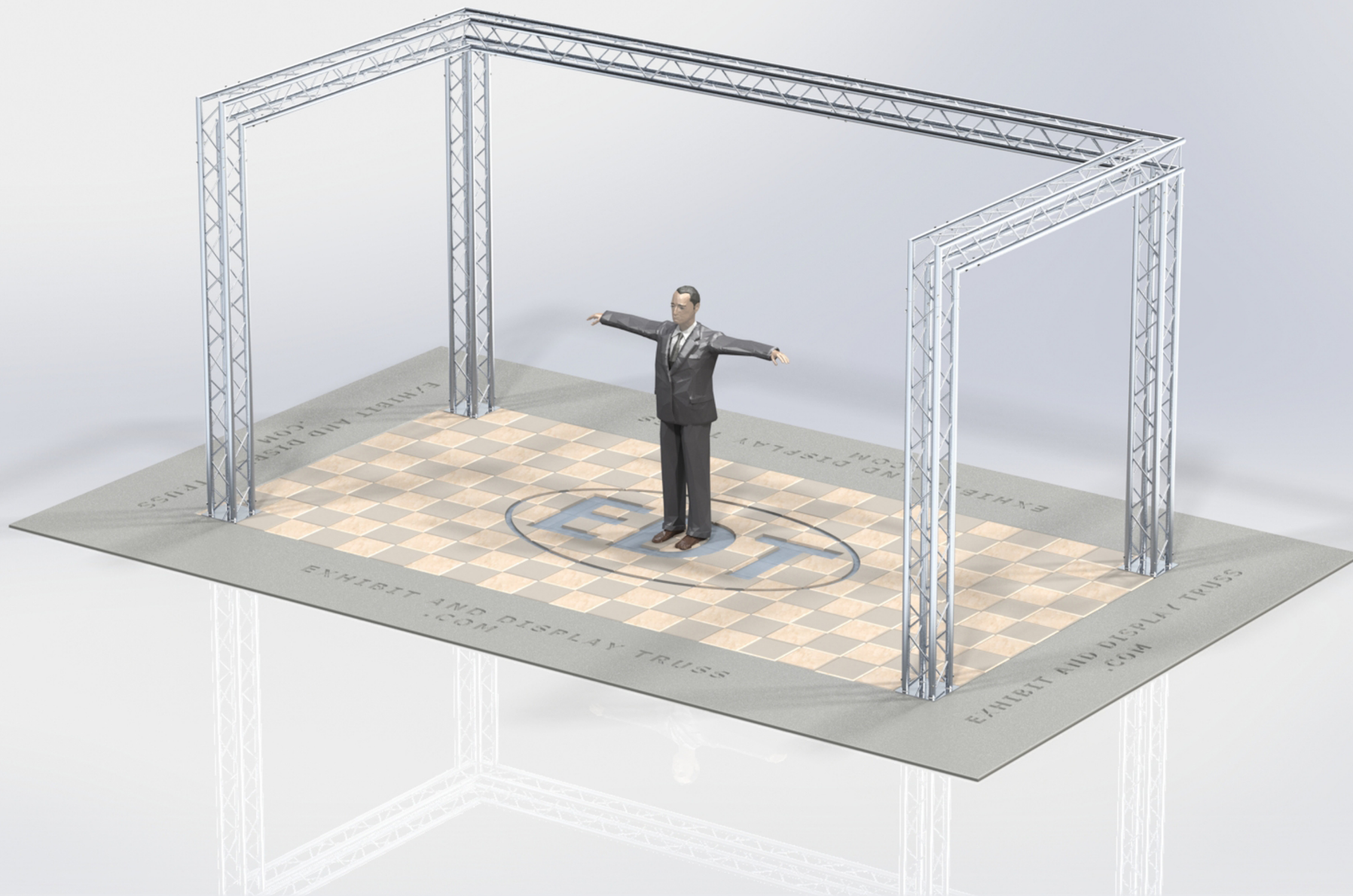


**KIT: B22-104**

**10" Wide Aluminum Truss. 2" Chords with 1/2" Webs**

©2015 EXHIBIT AND DISPLAY TRUSS.COM



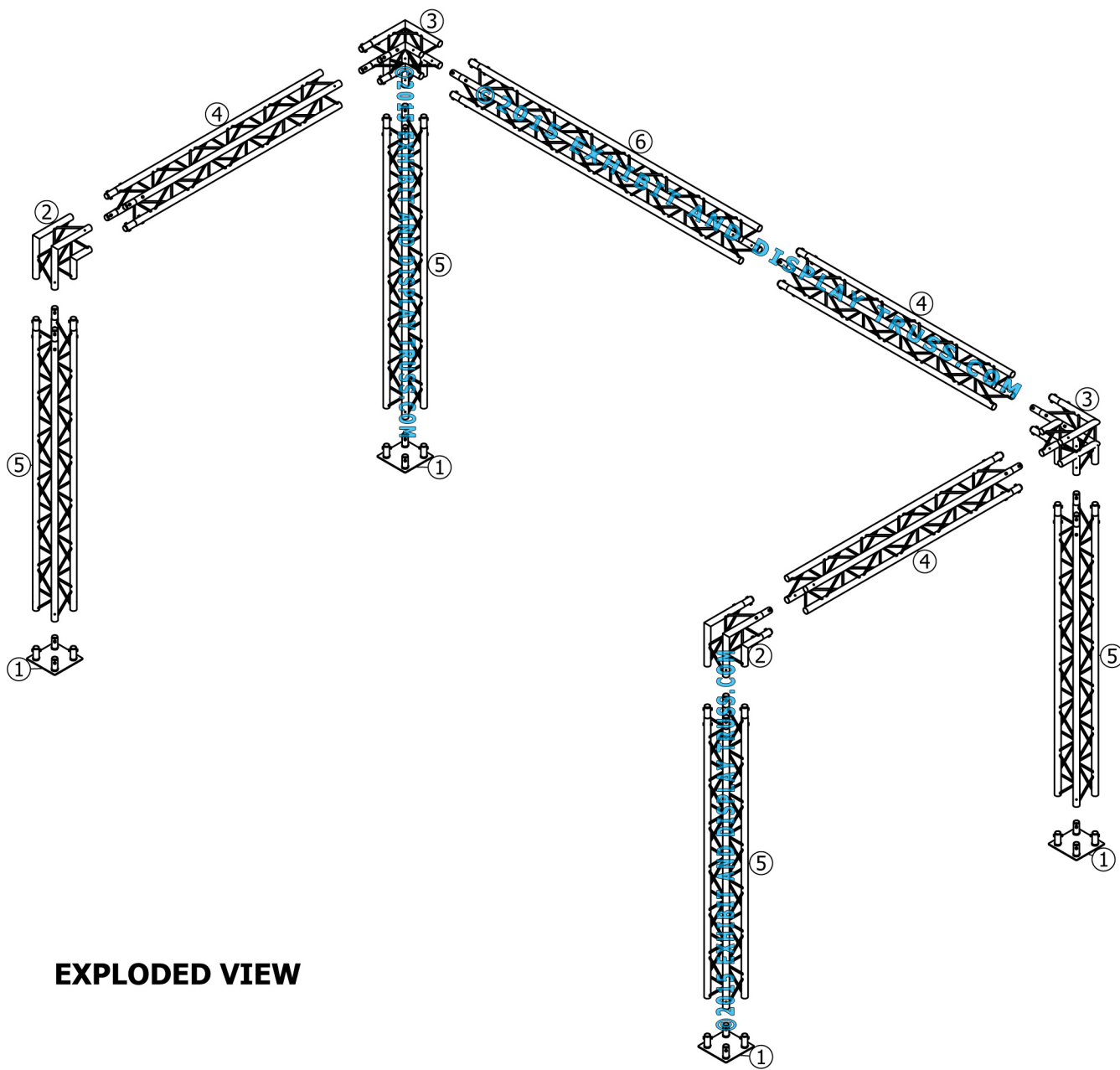
**Toll Free: 855-323-4866**  
**Email: [info@exhibitanddisplaytruss.com](mailto:info@exhibitanddisplaytruss.com)**

**[ExhibitAndDisplayTruss.com](http://ExhibitAndDisplayTruss.com)**

# KIT: B22-104

10" Wide Aluminum Truss. 2" Chords with 1/2" Webs

©2015 EXHIBIT AND DISPLAY TRUSS.COM



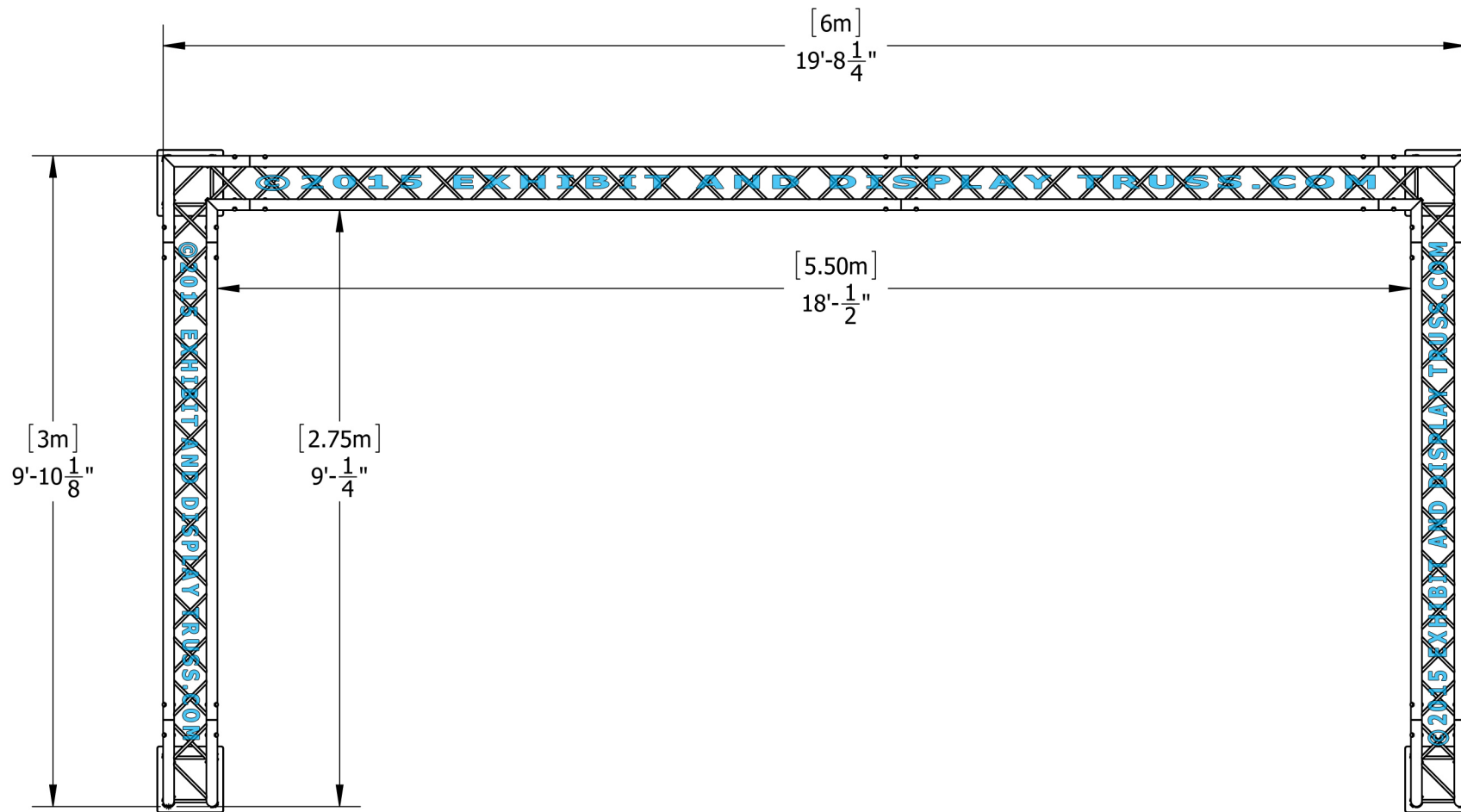
**EXPLODED VIEW**

| ITEM NO. | PART NUMBER | DESCRIPTION        | QTY. |
|----------|-------------|--------------------|------|
| ①        | EDT10-BP4   | Box Base Plate     | 4    |
| ②        | EDT10-B2W90 | 2 Way 90° Junction | 2    |
| ③        | EDT10-B3W90 | 3 Way 90° Junction | 2    |
| ④        | EDT10-B2.2  | 2.2m Box Truss     | 3    |
| ⑤        | EDT10-B2.6  | 2.6m Box Truss     | 4    |
| ⑥        | EDT10-B3.0  | 3.0m Box Truss     | 1    |

# KIT: B22-104

10" Wide Aluminum Truss. 2" Chords with 1/2" Webs

©2015 EXHIBIT AND DISPLAY TRUSS.COM



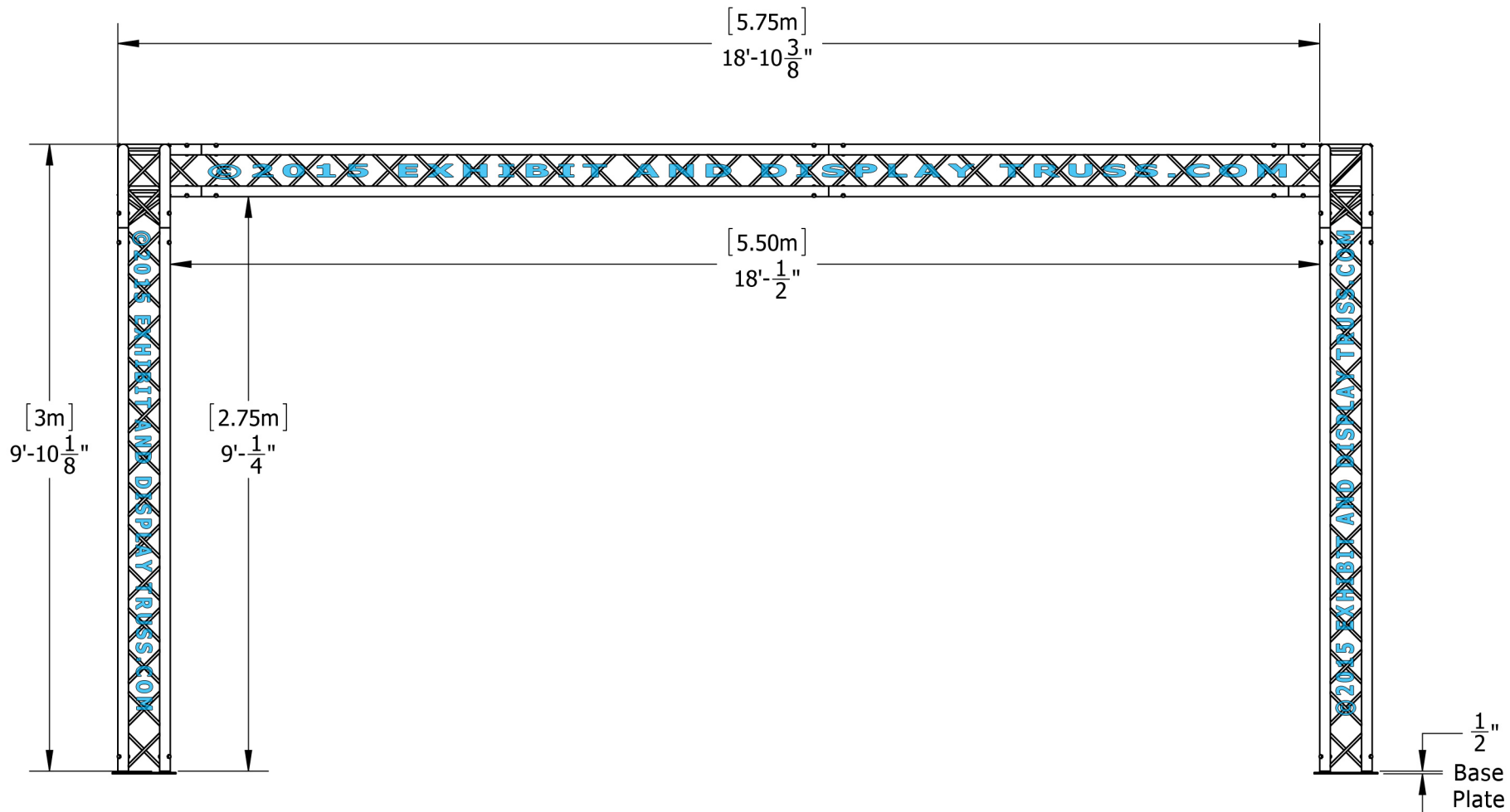
Top View  
Units: Feet & Inches  
[Meters]



# KIT: B22-104

10" Wide Aluminum Truss. 2" Chords with 1/2" Webs

©2015 EXHIBIT AND DISPLAY TRUSS.COM

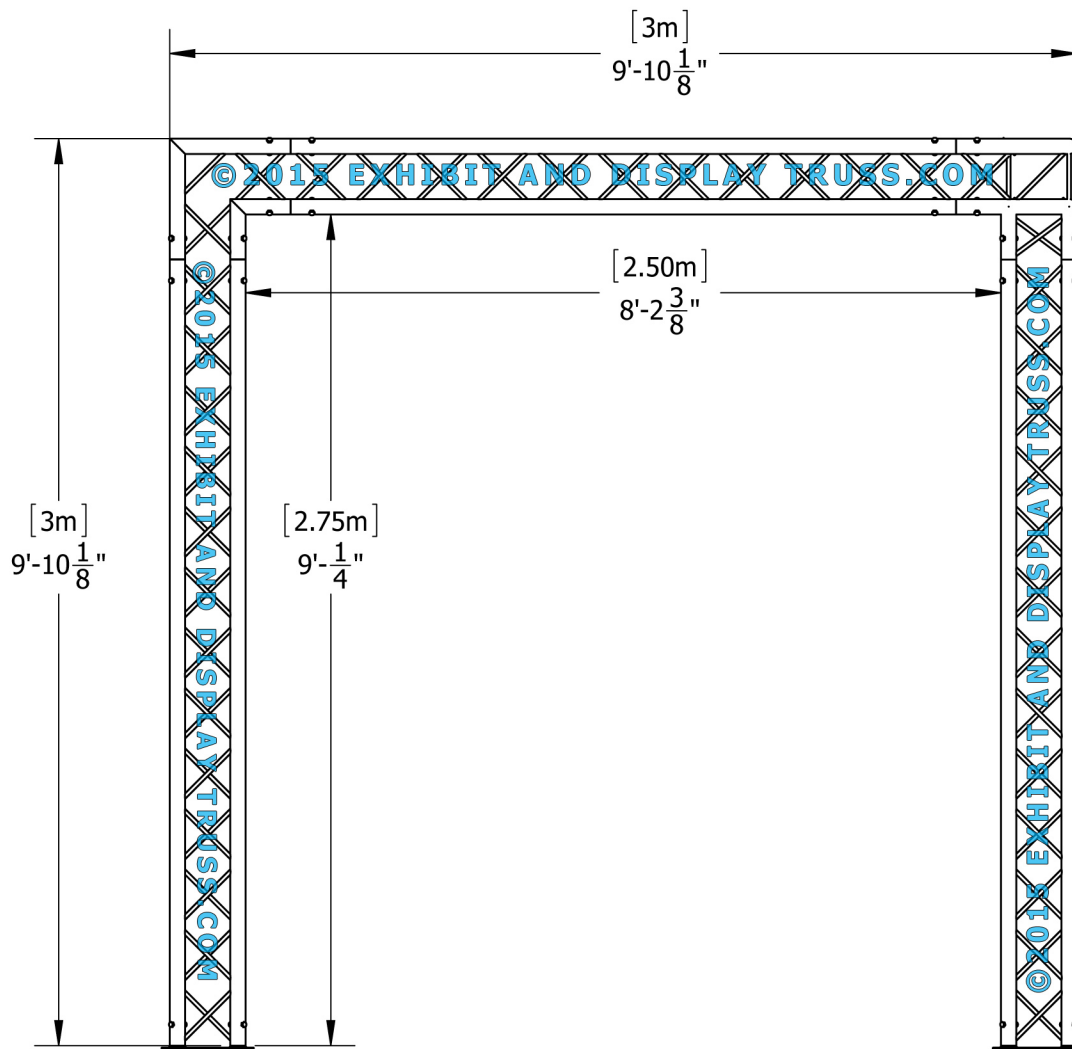


Front View  
Units: Feet & Inches  
[Meters]

# KIT: B22-104

10" Wide Aluminum Truss. 2" Chords with 1/2" Webs

©2015 EXHIBIT AND DISPLAY TRUSS.COM



**SIDE VIEW**  
**UNITS: FEET & INCHES**  
**[METRES]**