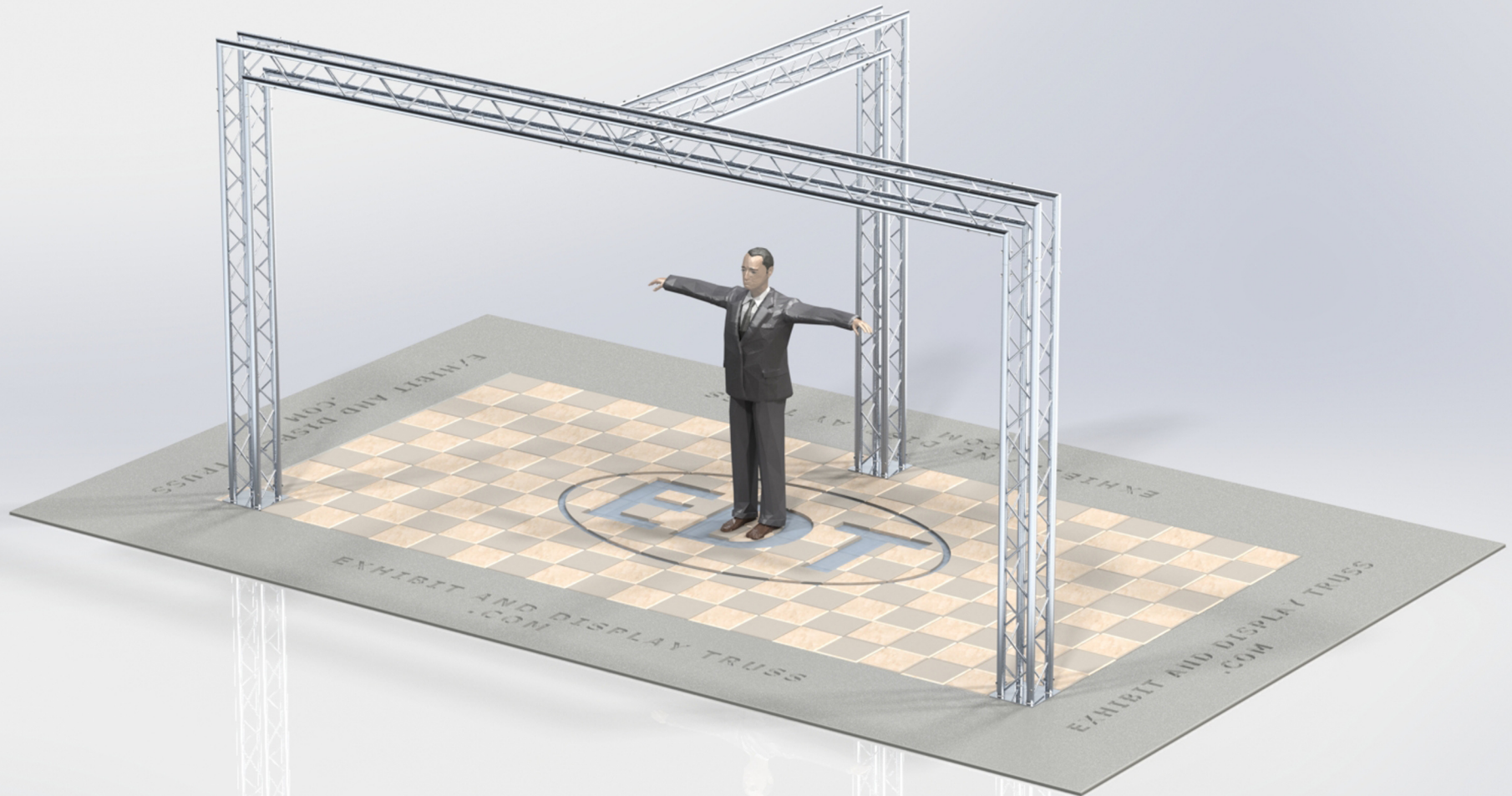


**KIT: B26-104**

**10" Wide Aluminum Truss. 2" Chords with 1/2" Webs**

©2015 EXHIBIT AND DISPLAY TRUSS.COM



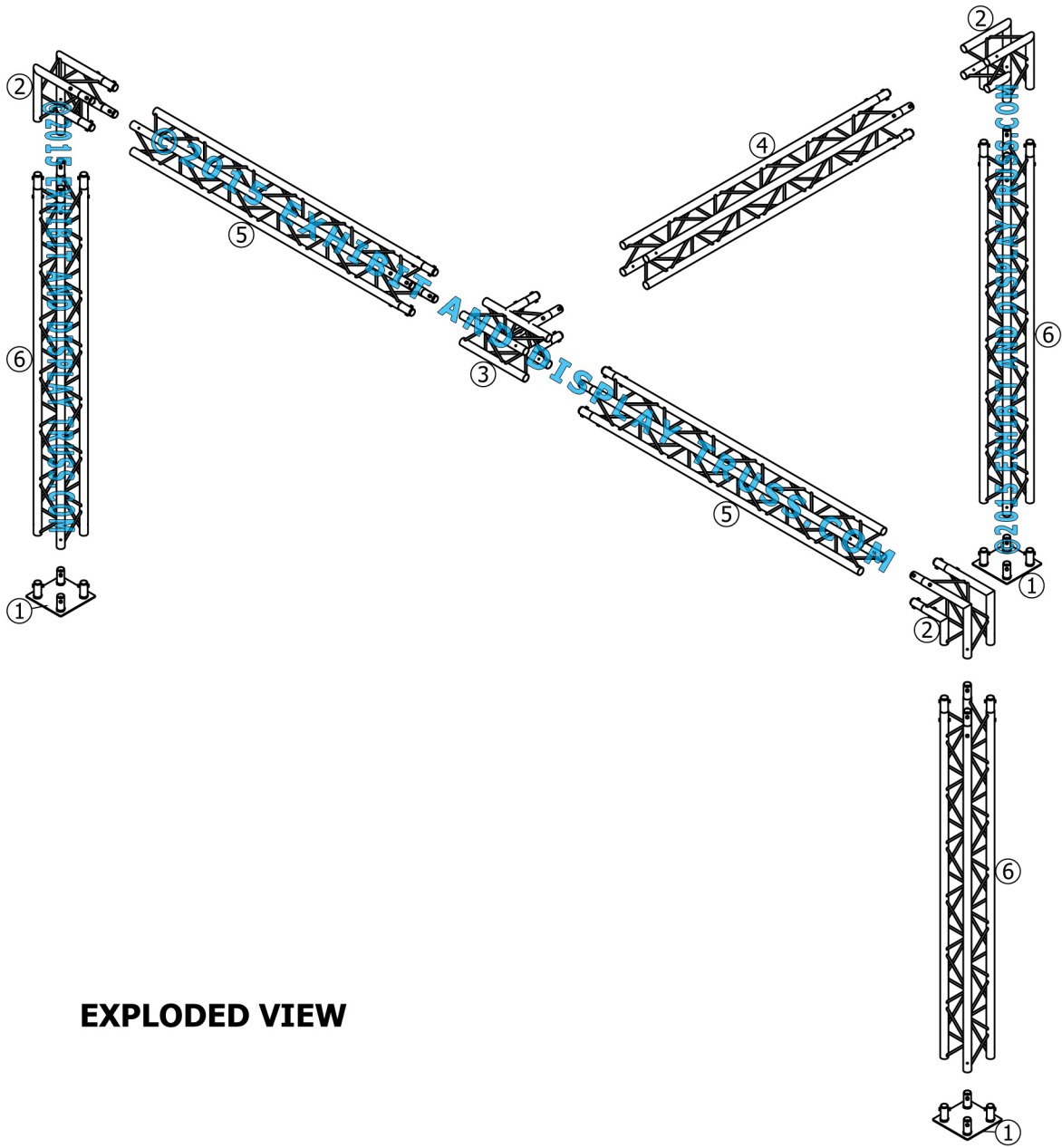
**Toll Free: 855-323-4866**  
**Email: [info@exhibitanddisplaytruss.com](mailto:info@exhibitanddisplaytruss.com)**

**[ExhibitAndDisplayTruss.com](http://ExhibitAndDisplayTruss.com)**

# KIT: B26-104

10" Wide Aluminum Truss. 2" Chords with 1/2" Webs

©2015 EXHIBIT AND DISPLAY TRUSS.COM



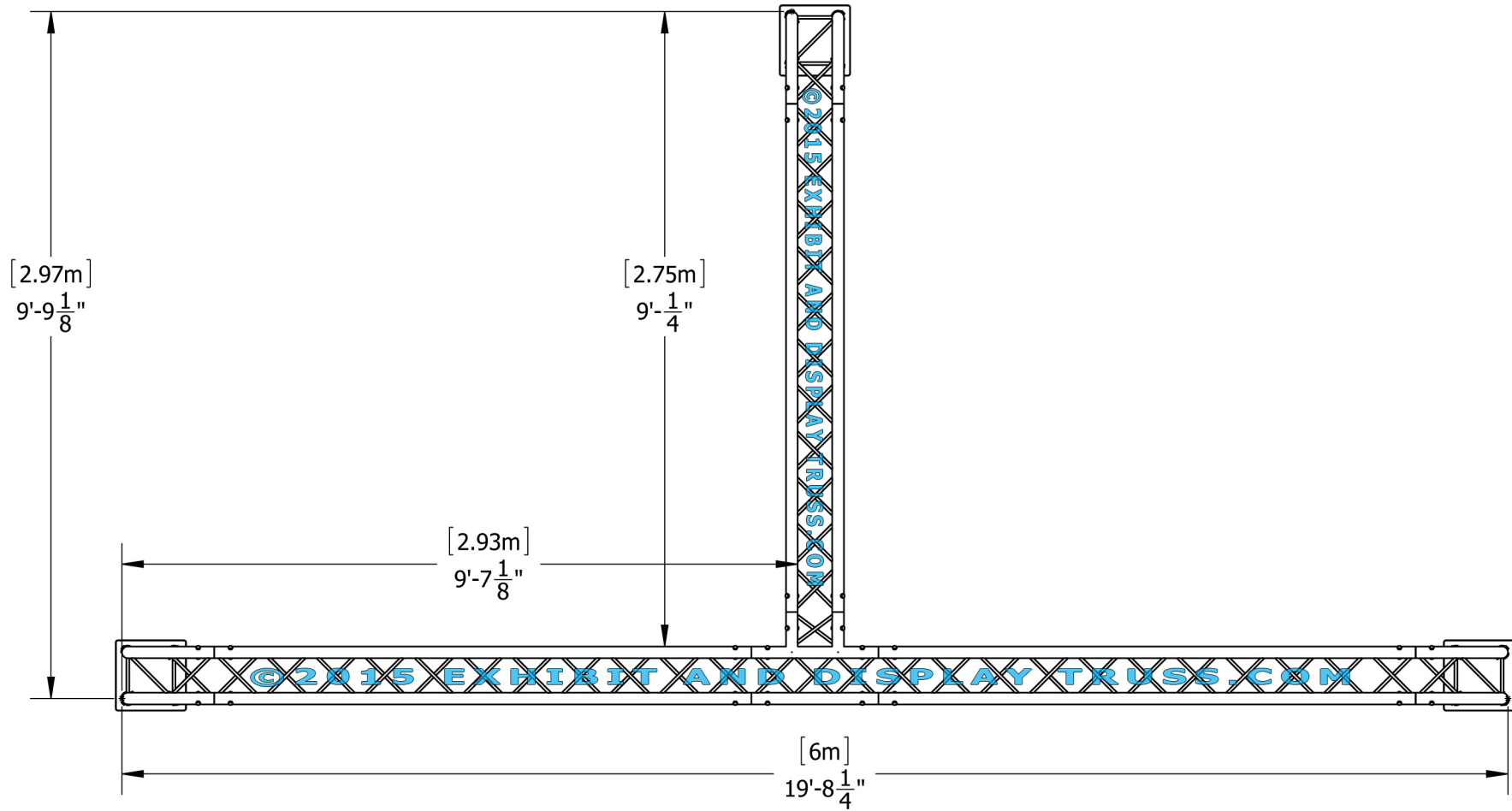
**EXPLODED VIEW**

ITEM NO.	PART NUMBER	DESCRIPTION	QTY.
①	EDT10-BP4	Box Base Plate	3
②	EDT10-B2W90	2 Way 90° Junction	3
③	EDT10-B3WT	3 Way 90° "T" Junction	1
④	EDT10-B2.2	2.2m Box Truss	1
⑤	EDT10-B2.325	2.325m Box Truss	2
⑥	EDT10-B2.6	2.6m Box Truss	3

# KIT: B26-104

10" Wide Aluminum Truss. 2" Chords with 1/2" Webs

©2015 EXHIBIT AND DISPLAY TRUSS.COM



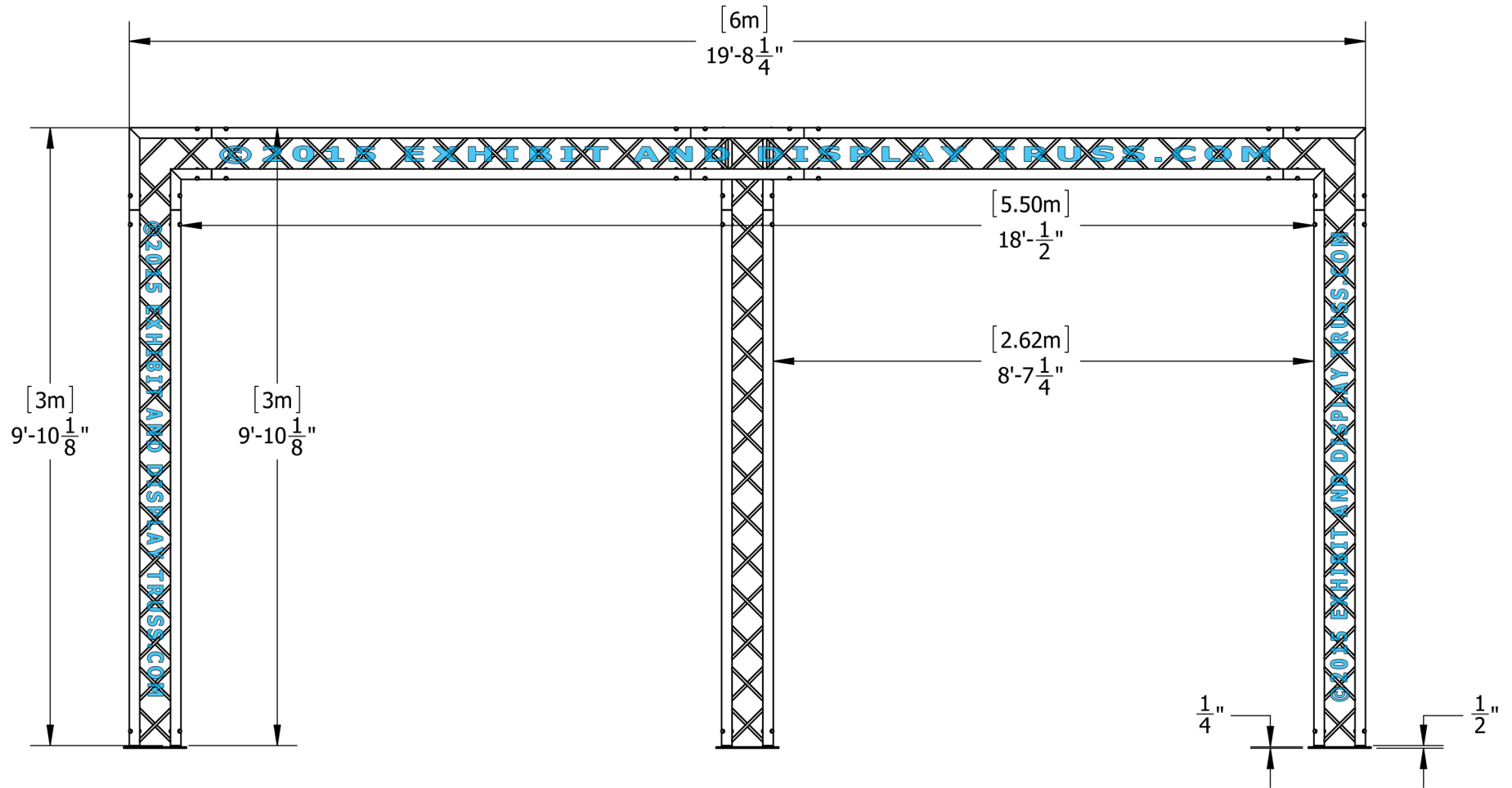
Top View  
Units: Feet & Inches  
[Meters]



# KIT: B26-104

10" Wide Aluminum Truss. 2" Chords with 1/2" Webs

©2015 EXHIBIT AND DISPLAY TRUSS.COM

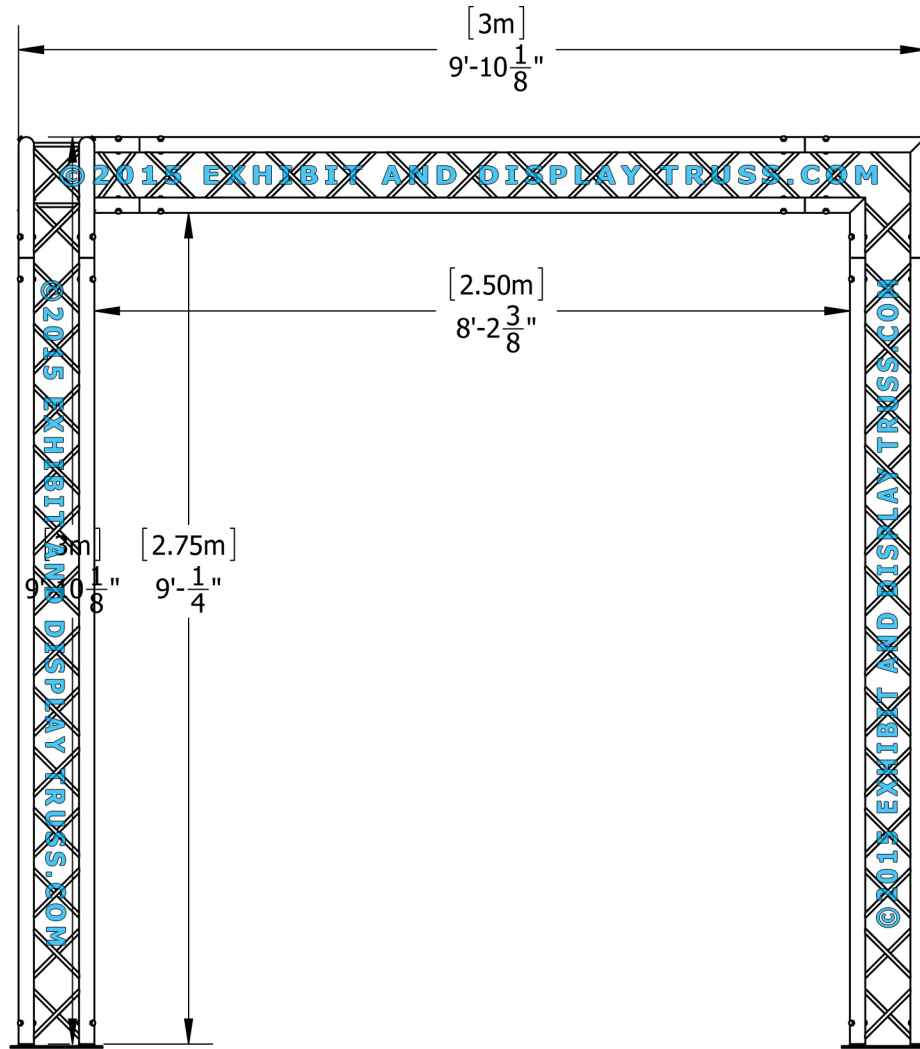


Front View  
Units: Feet & Inches  
[Meters]

# KIT: B26-104

10" Wide Aluminum Truss. 2" Chords with 1/2" Webs

©2015 EXHIBIT AND DISPLAY TRUSS.COM



**SIDE VIEW**  
**UNITS: FEET & INCHES**  
**[METRES]**