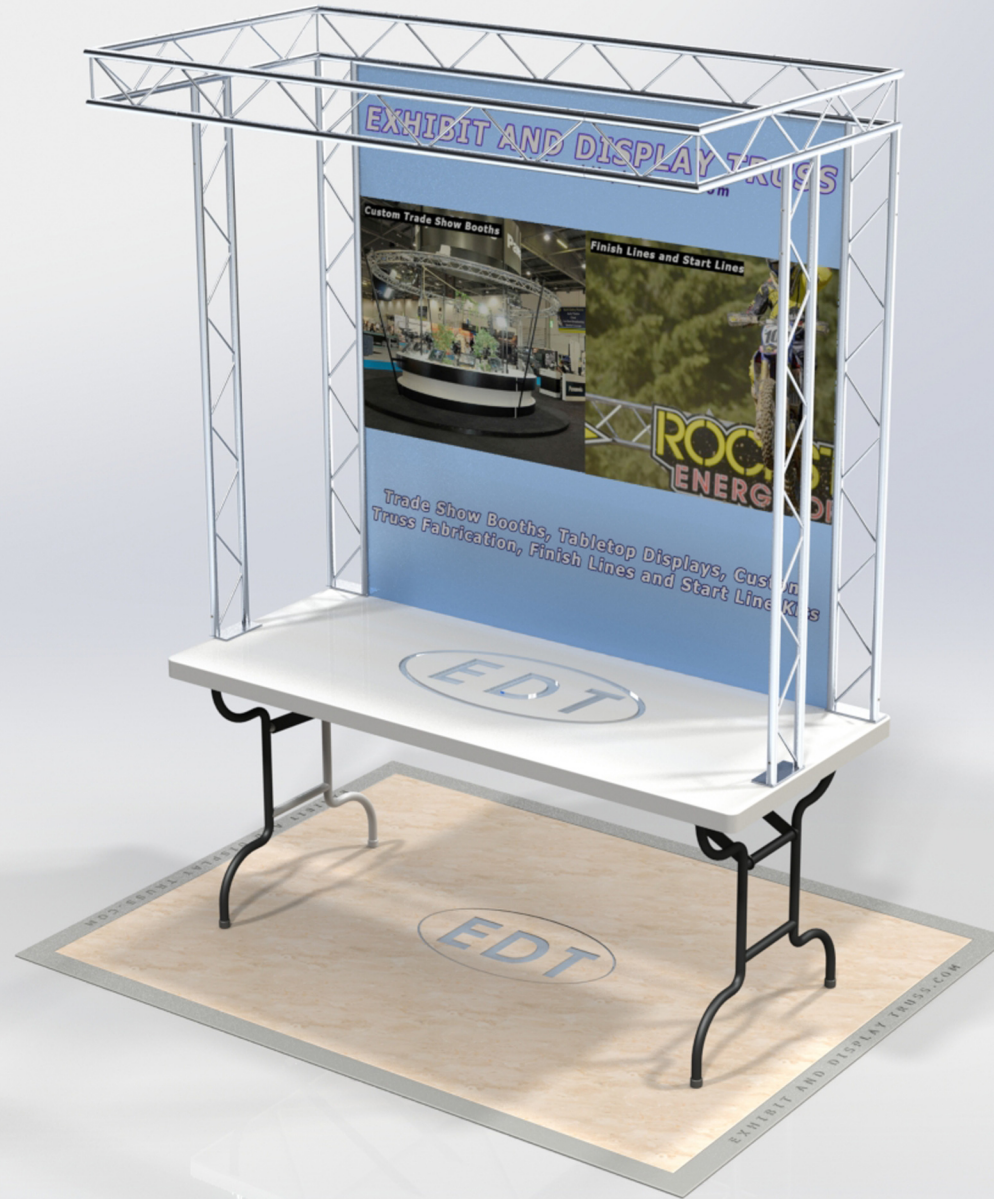


# KIT: D2-62

6" Wide Aluminum Truss. 1" Chords with 5/16" Webs

©2015 EXHIBIT AND DISPLAY TRUSS.COM



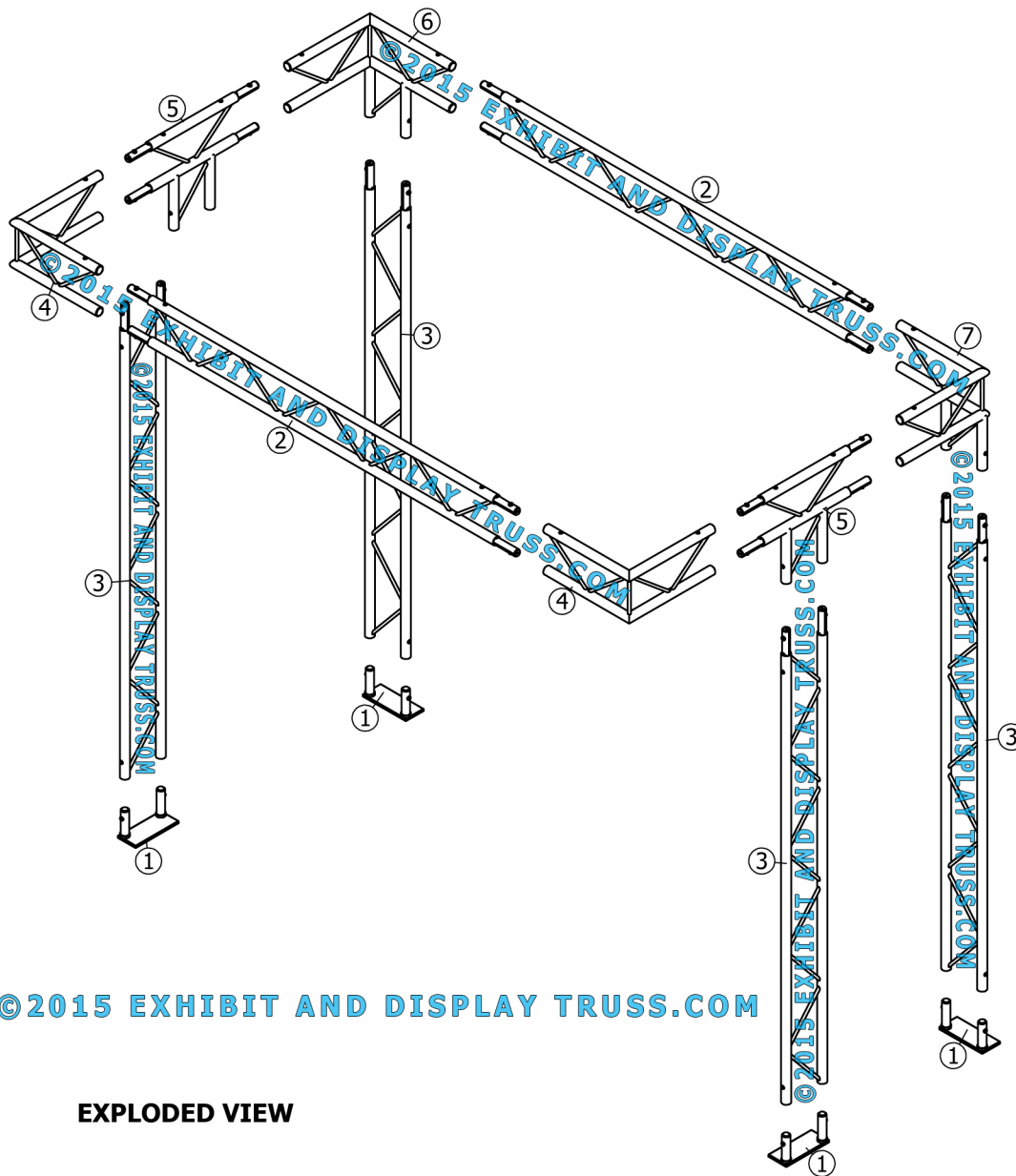
Toll Free: 855-323-4866  
Email: [info@exhibitanddisplaytruss.com](mailto:info@exhibitanddisplaytruss.com)

[ExhibitAndDisplayTruss.com](http://ExhibitAndDisplayTruss.com)

# KIT: D2-62

6" Wide Aluminum Truss. 1" Chords with 5/16" Webs

©2015 EXHIBIT AND DISPLAY TRUSS.COM



©2015 EXHIBIT AND DISPLAY TRUSS.COM

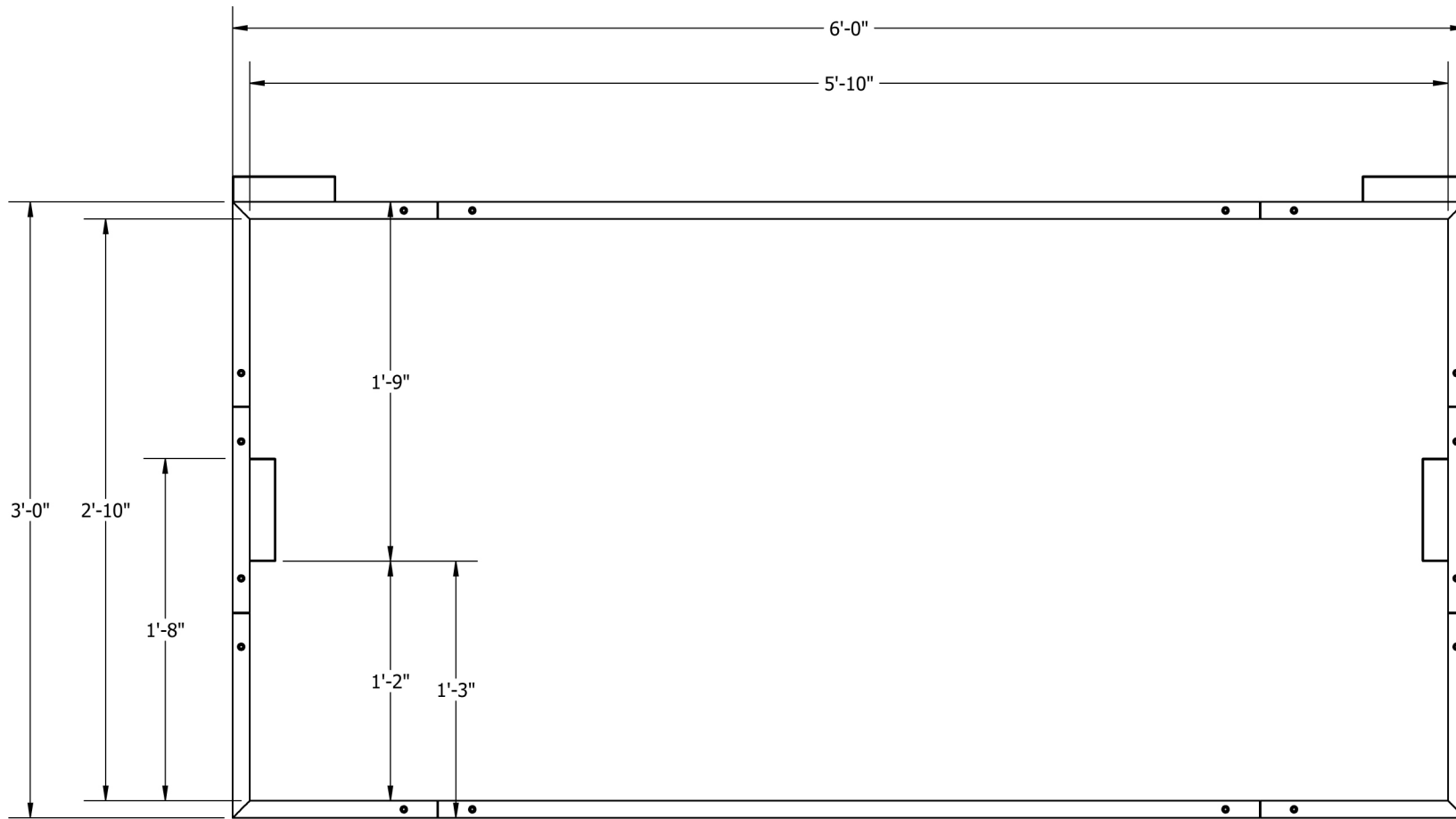
EXPLODED VIEW

ITEM NO.	PART NUMBER	DESCRIPTION	QTY.
①	EDT6-BP2c	Ladder Base Plate Custom	4
②	EDT6-L4	4'-0" Ladder Truss	2
③	EDT6-L4-6	4'-6" Ladder Truss	4
④	EDT6-L2W90V	2 Way 90° Junction Vertical	2
⑤	EDT6-L3WTH	3 Way 90° "T" Junction Horizontal	2
⑥	EDT6-L3W90R	3 Way 90° Junction Right	1
⑦	EDT6-L3W90L	3 Way 90° Junction Left	1

# KIT: D2-62

6" Wide Aluminum Truss. 1" Chords with 5/16" Webs

©2015 EXHIBIT AND DISPLAY TRUSS.COM



TOP VIEW  
UNITS: FEET & INCHES

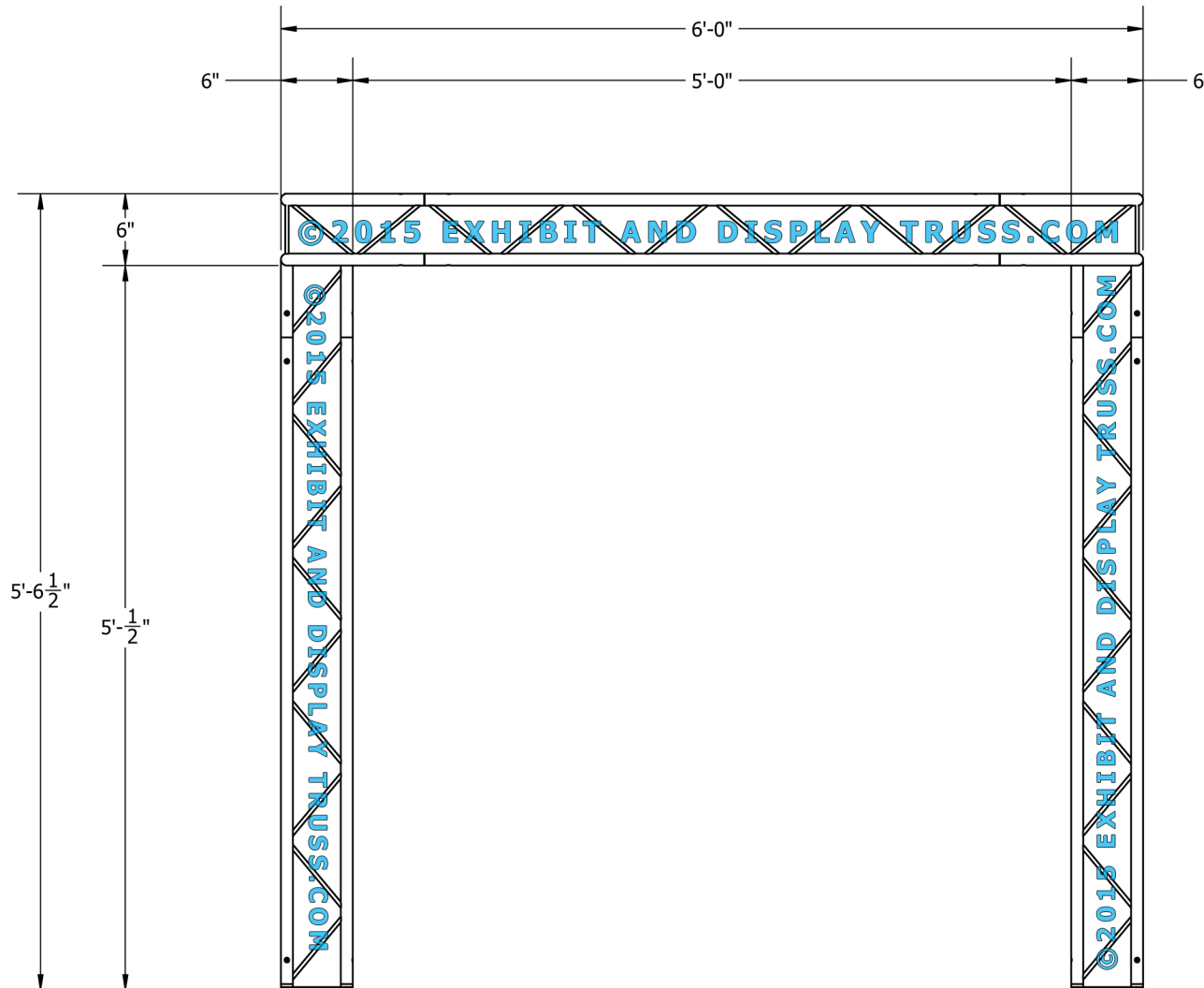
©2015 EXHIBIT AND DISPLAY TRUSS.COM



# KIT: D2-62

6" Wide Aluminum Truss. 1" Chords with 5/16" Webs

©2015 EXHIBIT AND DISPLAY TRUSS.COM



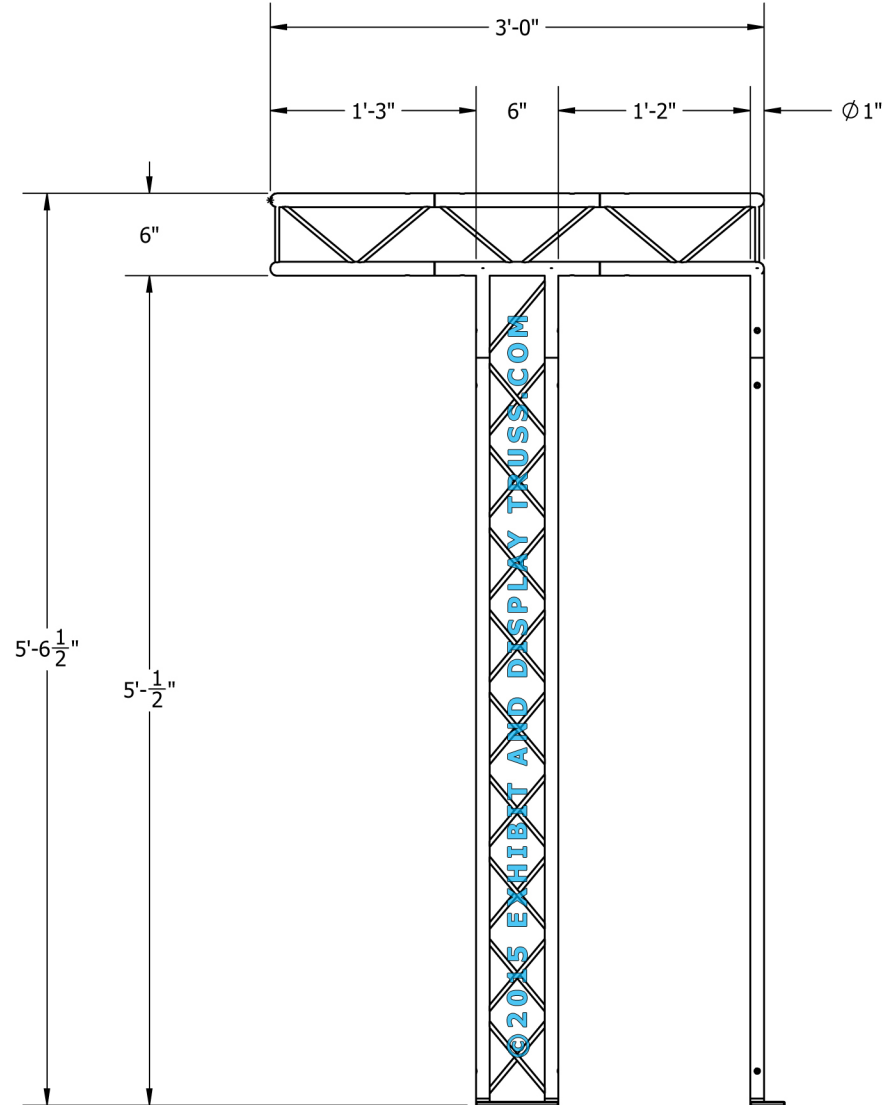
FRONT VIEW  
UNITS: FEET & INCHES

©2015 EXHIBIT AND DISPLAY TRUSS.COM

# KIT: D2-62

6" Wide Aluminum Truss. 1" Chords with 5/16" Webs

©2015 EXHIBIT AND DISPLAY TRUSS.COM



**SIDE VIEW**  
**UNITS: FEET & INCHES**

©2015 EXHIBIT AND DISPLAY TRUSS.COM