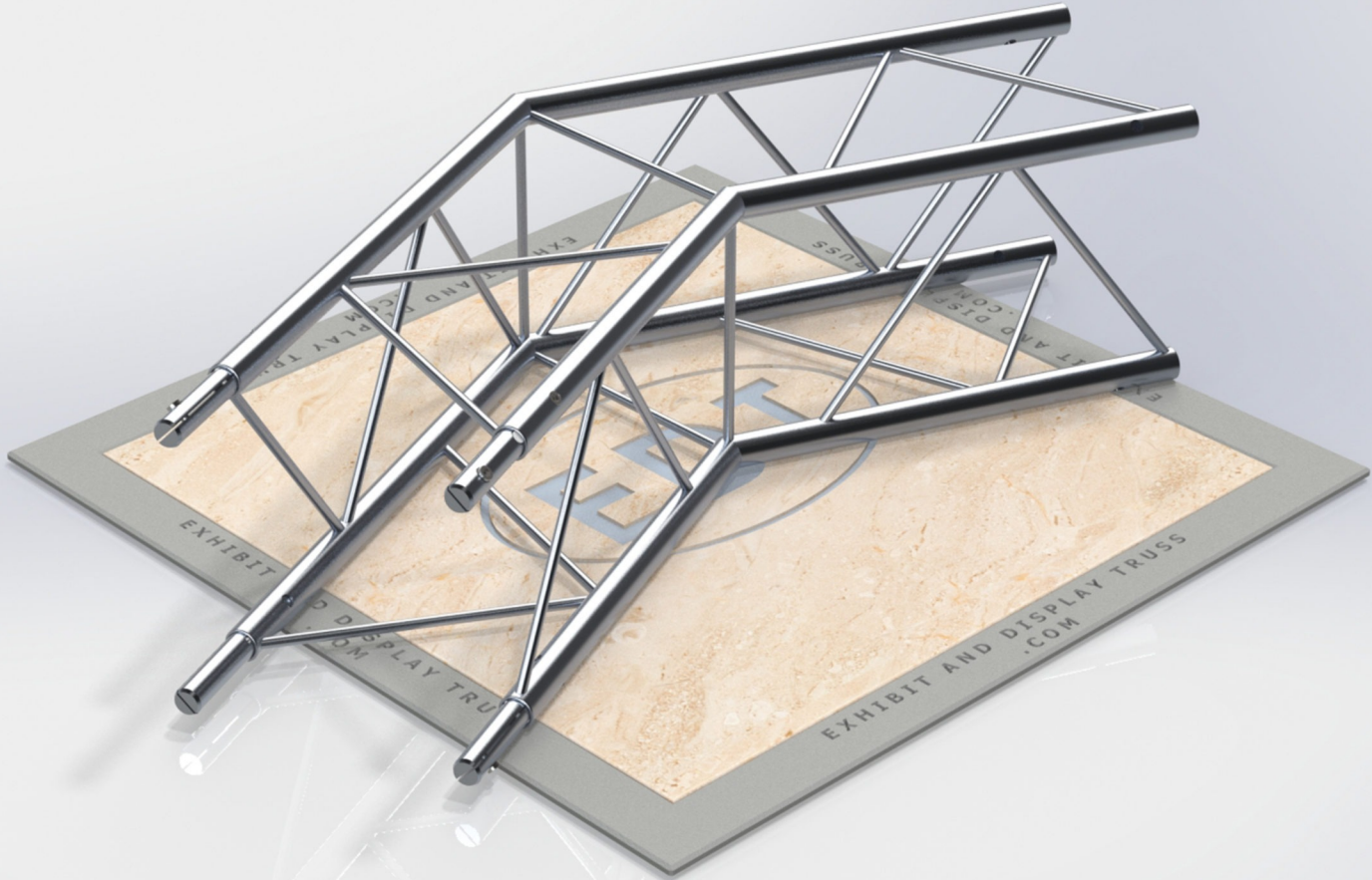


# PART: EDT9-B2W135

9" Wide Aluminum Truss. 1" Chords with 5/16" Webs

©2020 EXHIBIT AND DISPLAY TRUSS.COM



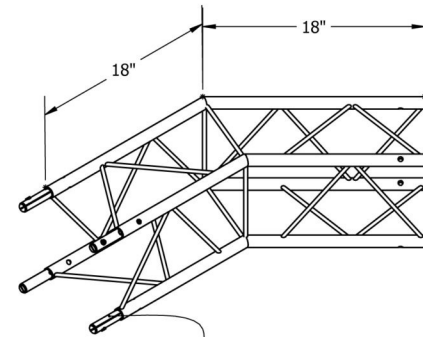
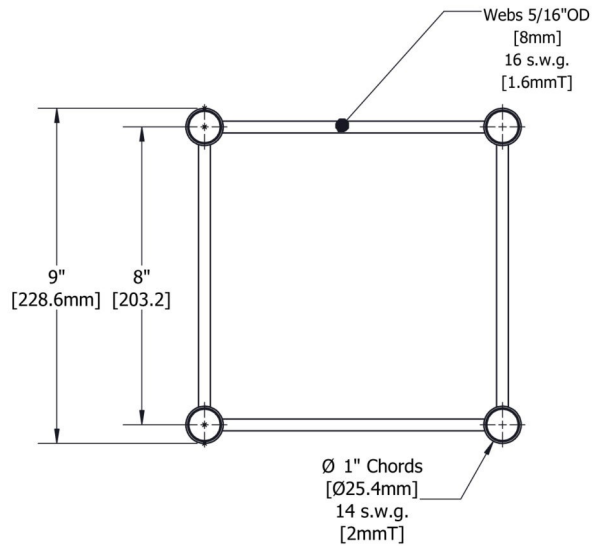
**Toll Free: 855-323-4866**  
**Email: [info@exhibitanddisplaytruss.com](mailto:info@exhibitanddisplaytruss.com)**

**[ExhibitAndDisplayTruss.com](http://ExhibitAndDisplayTruss.com)**

# PART: EDT9-B2W135

9" Wide Aluminum Truss. 1" Chords with 5/16" Webs

© 2020 EXHIBIT AND DISPLAY TRUSS.COM



Connection Inserts come standard with truss part

