

KIT: FL-12

10" Wide Aluminum Truss. 2" Chords with 1/2" Webs

©2015 EXHIBIT AND DISPLAY TRUSS.COM



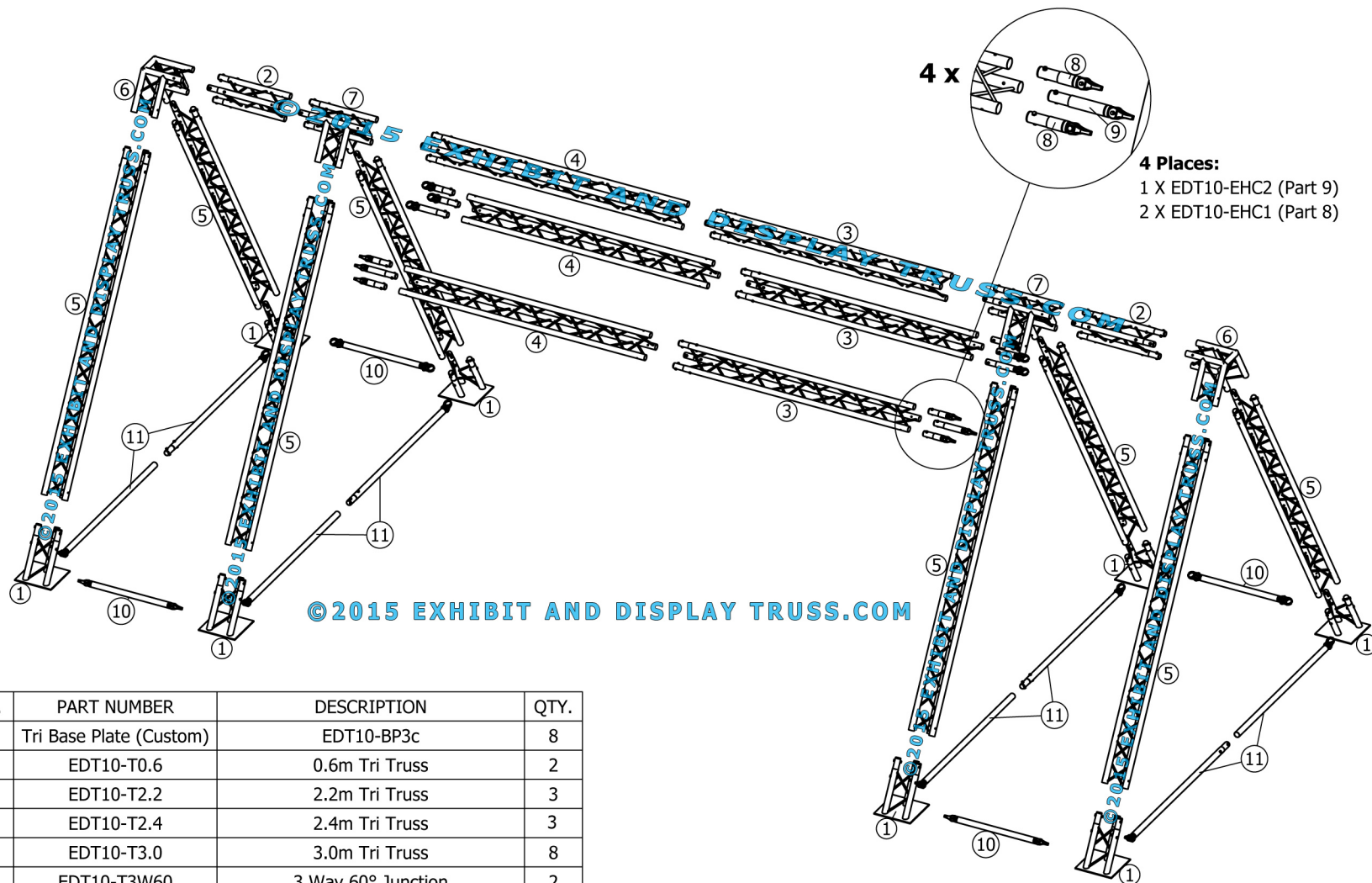
Toll Free: 855-323-4866
Email: info@exhibitanddisplaytruss.com

ExhibitAndDisplayTruss.com

KIT: FL-12

10" Wide Aluminum Truss. 2" Chords with 1/2" Webs

©2015 EXHIBIT AND DISPLAY TRUSS.COM



©2015 EXHIBIT AND DISPLAY TRUSS.COM

ITEM NO.	PART NUMBER	DESCRIPTION	QTY.
①	Tri Base Plate (Custom)	EDT10-BP3c	8
②	EDT10-T0.6	0.6m Tri Truss	2
③	EDT10-T2.2	2.2m Tri Truss	3
④	EDT10-T2.4	2.4m Tri Truss	3
⑤	EDT10-T3.0	3.0m Tri Truss	8
⑥	EDT10-T3W60	3 Way 60° Junction	2
⑦	EDT10-T4W60	4 Way 60° Junction	2
⑧	EDT10-EHC1	Extender Hook Clamp	8
⑨	EDT10-EHC2	Extender Hook Clamp	4
⑩	EDT2-STBf	Single Tube Brace (Custom Front)	4
⑪	EDT2-STBs	Single Tube Brace (Custom Side)	8

EXPLODED VIEW

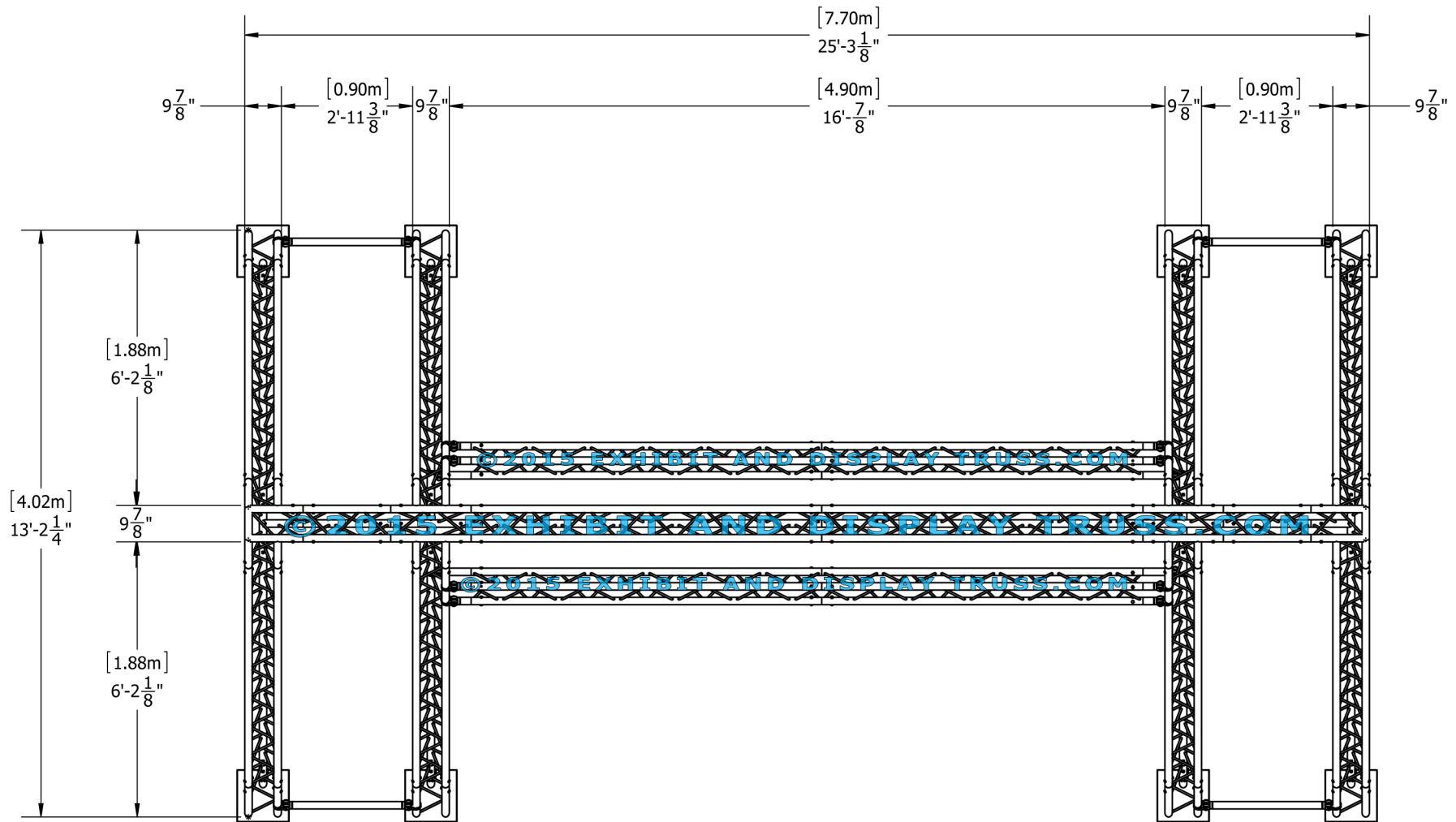
Toll Free: 855-323-4866
 Email: info@exhibitanddisplaytruss.com

ExhibitAndDisplayTruss.com

KIT: FL-12

10" Wide Aluminum Truss. 2" Chords with 1/2" Webs

©2015 EXHIBIT AND DISPLAY TRUSS.COM



©2015 EXHIBIT AND DISPLAY TRUSS.COM

Top View

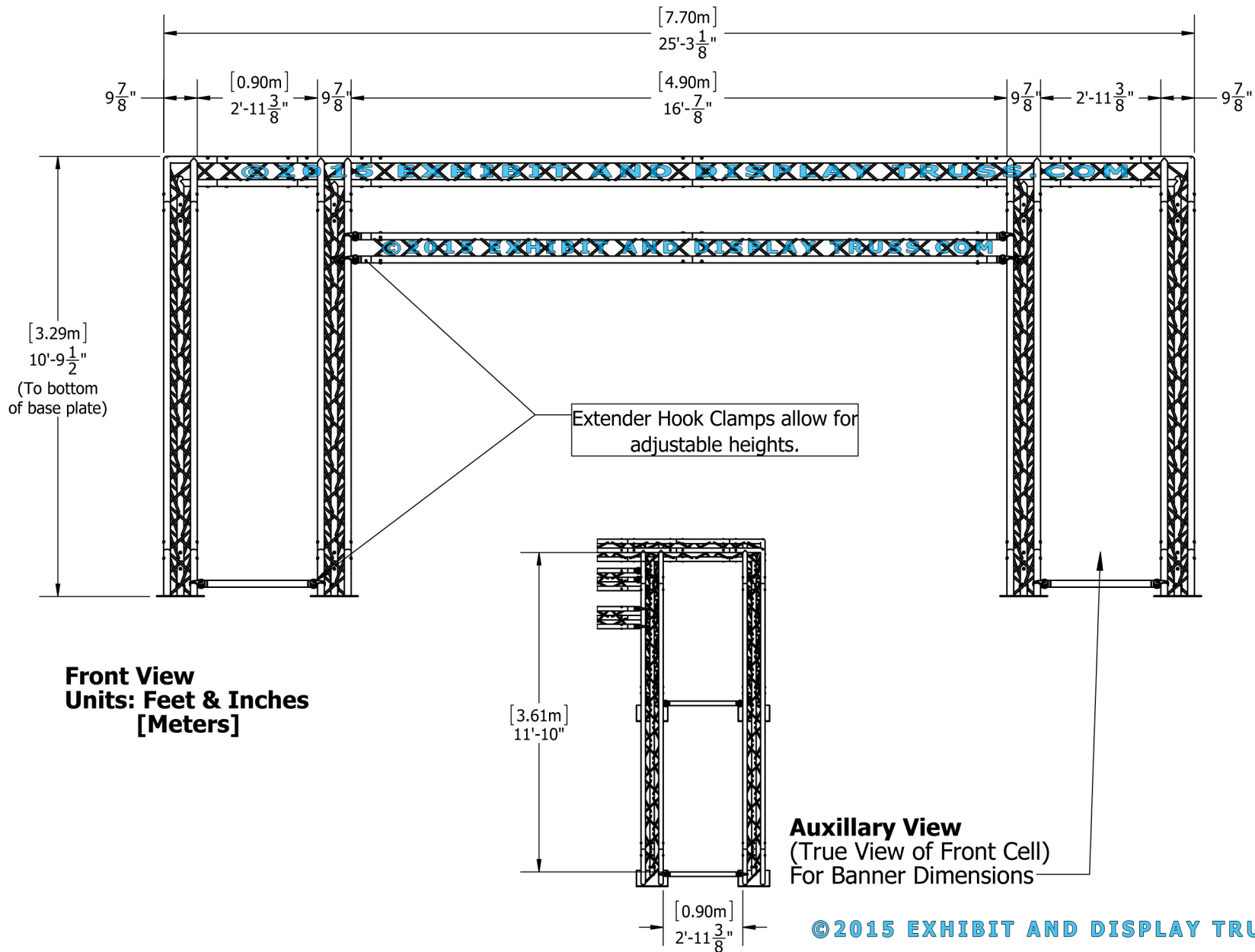
Units: Feet & Inches

[Meters]

KIT: FL-12

10" Wide Aluminum Truss. 2" Chords with 1/2" Webs

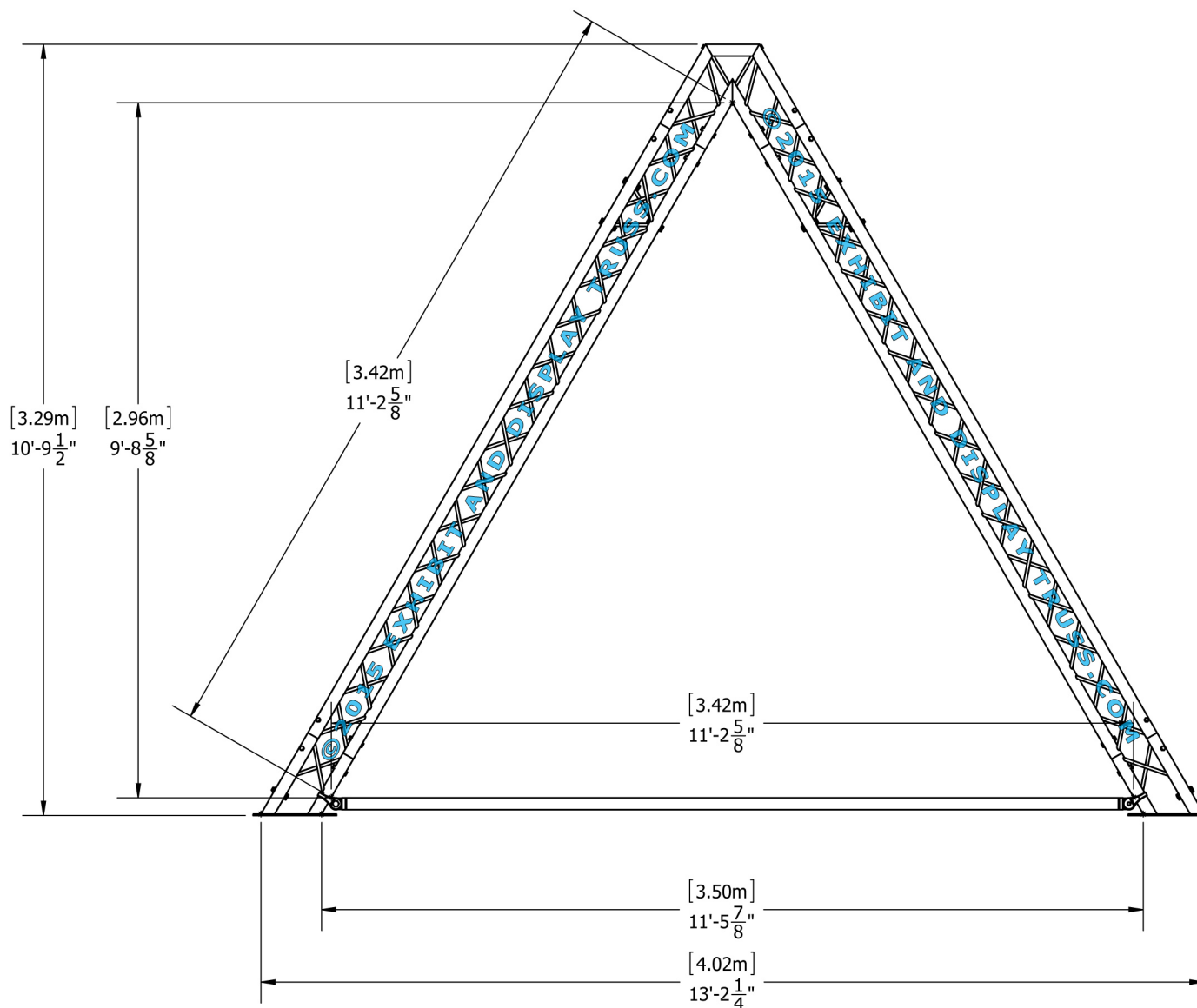
©2015 EXHIBIT AND DISPLAY TRUSS.COM



KIT: FL-12

10" Wide Aluminum Truss. 2" Chords with 1/2" Webs

©2015 EXHIBIT AND DISPLAY TRUSS.COM



Side View
Units: Feet & Inches
[Meters]

©2015 EXHIBIT AND DISPLAY TRUSS.COM

Toll Free: 855-323-4866
Email: info@exhibitanddisplaytruss.com

ExhibitAndDisplayTruss.com