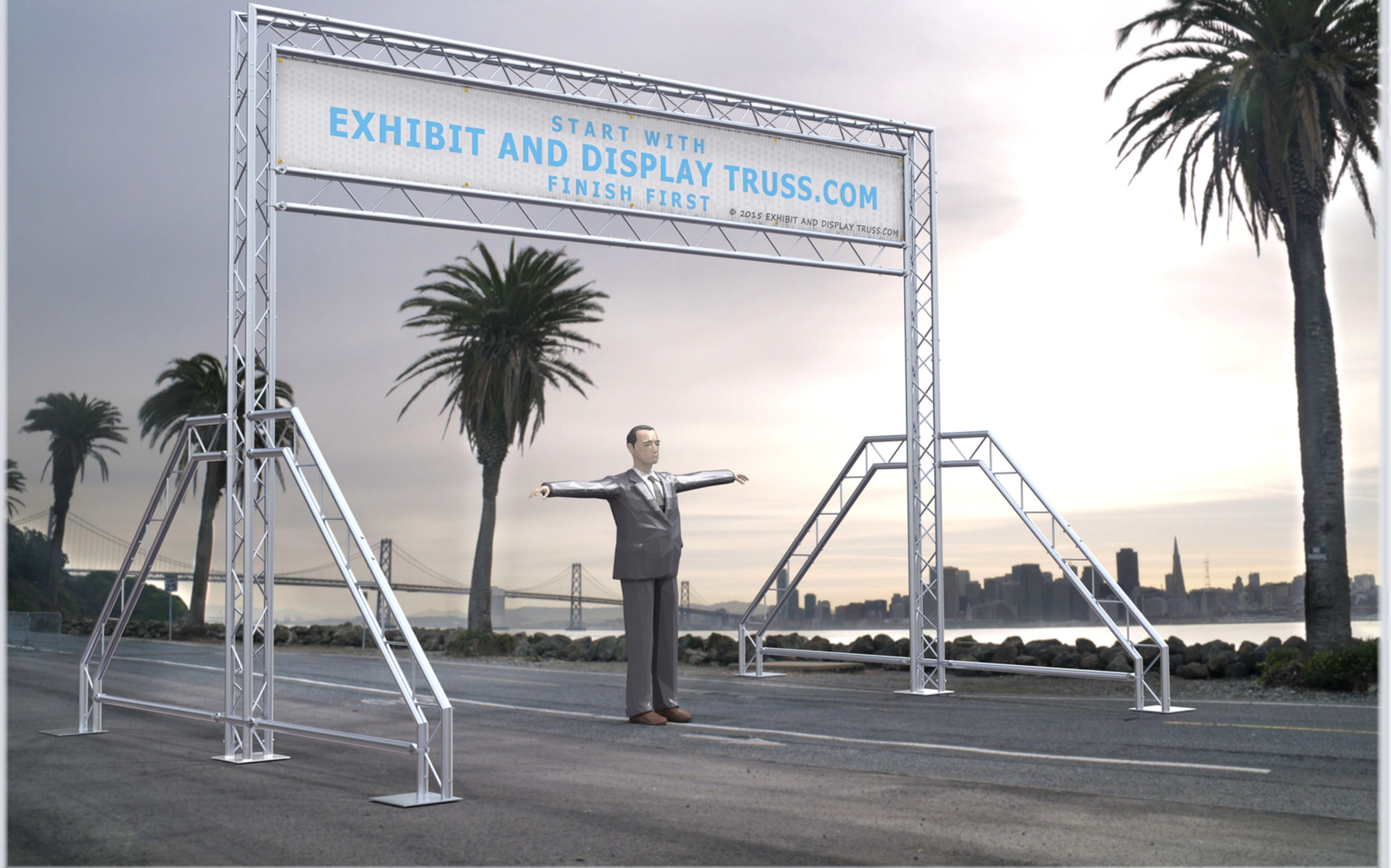


KIT: FL-8

10" Profile Aluminum Truss. 2" Chords with 1/2" Webs

©2015 EXHIBIT AND DISPLAY TRUSS.COM

EXHIBIT AND DISPLAY TRUSS.COM
START WITH
FINISH FIRST
© 2015 EXHIBIT AND DISPLAY TRUSS.COM



Toll Free: 855-323-4866
Email: info@exhibitanddisplaytruss.com

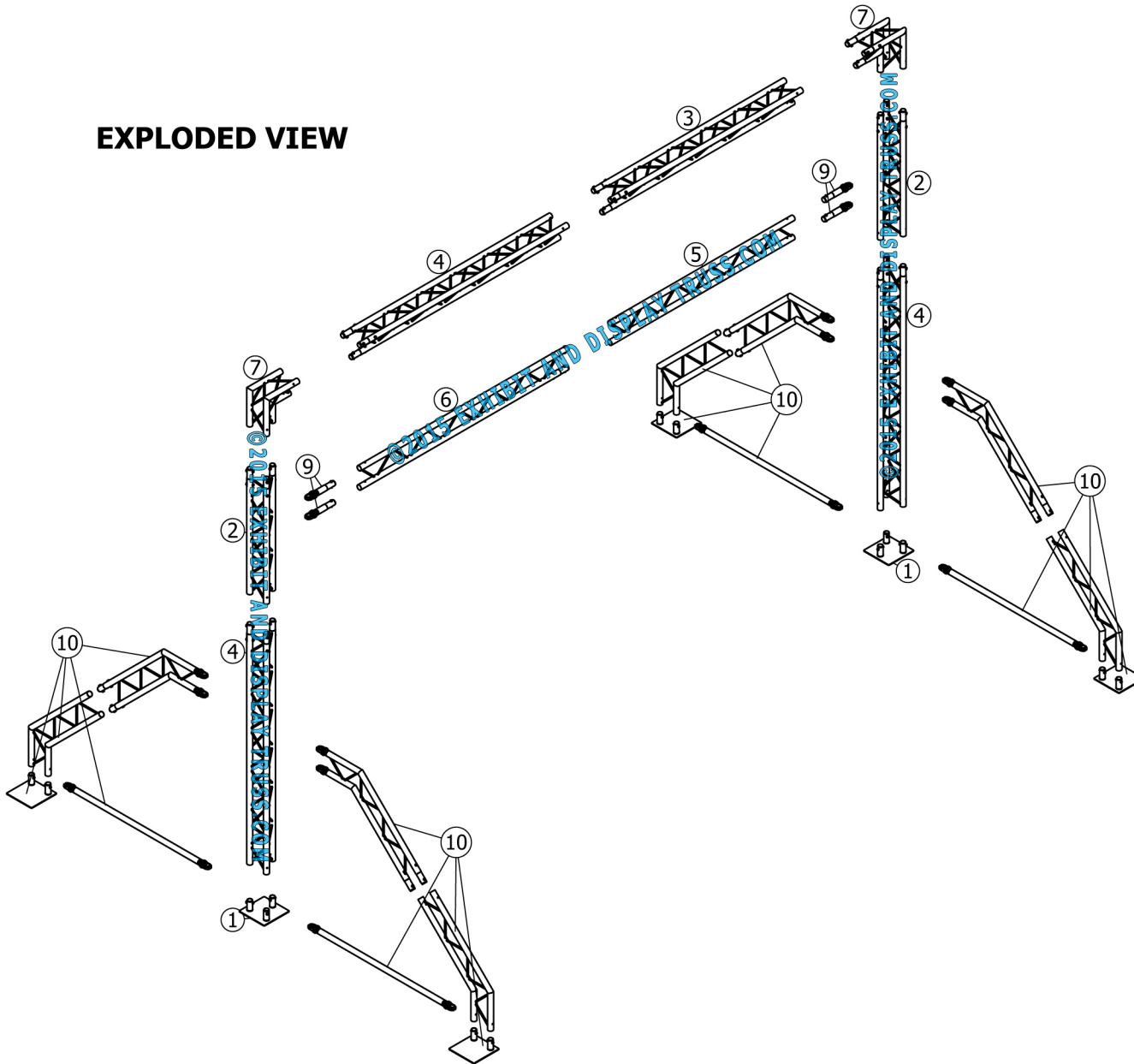
ExhibitAndDisplayTruss.com

KIT: FL-8

10" Wide Aluminum Truss. 2" Chords with 1/2" Webs

©2015 EXHIBIT AND DISPLAY TRUSS.COM

EXPLODED VIEW

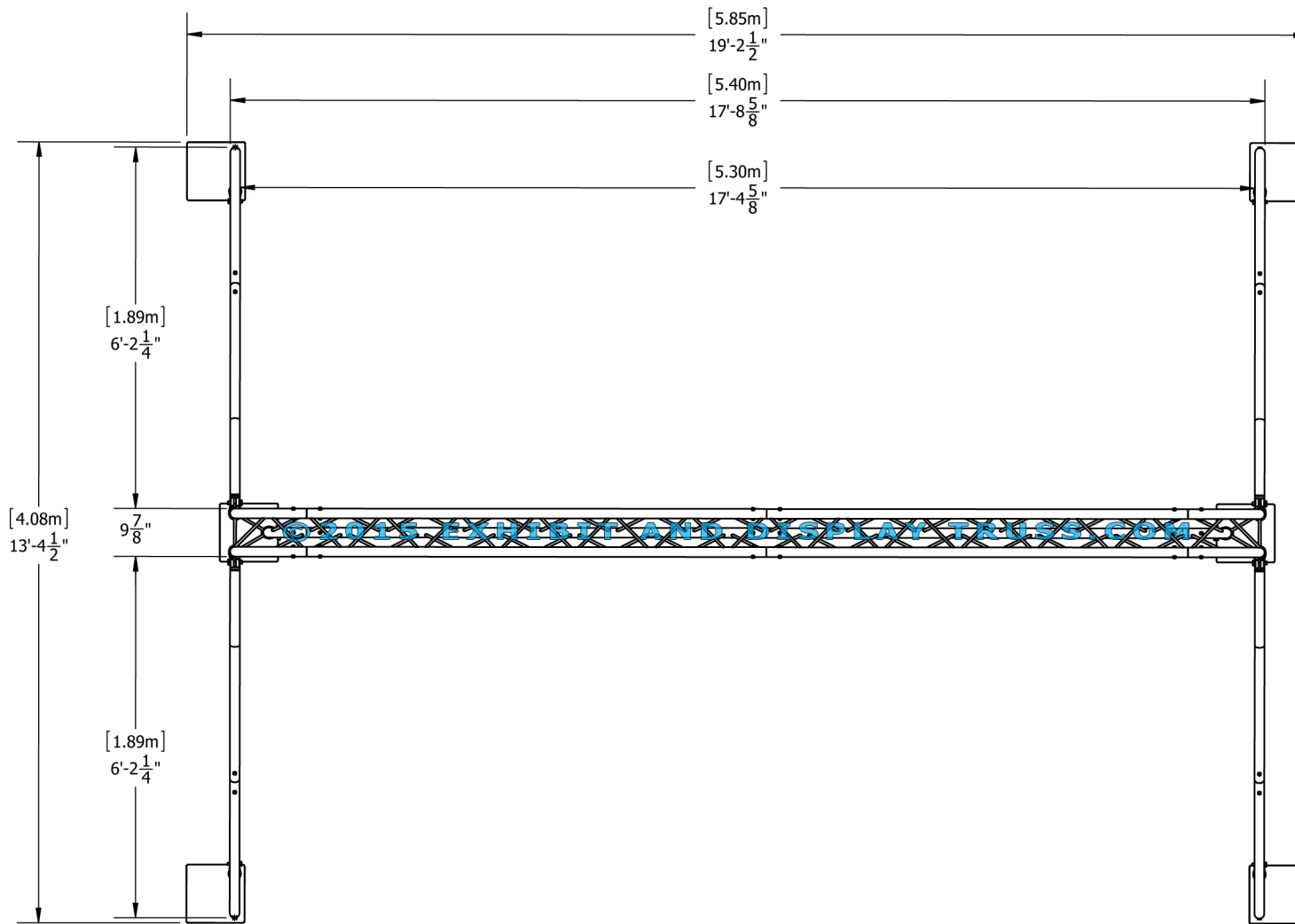


ITEM NO.	PART NUMBER	DESCRIPTION	QTY.
①	EDT10-BP3	Tri Base Plate (square)	2
②	EDT10-T1.2	1.2m Tri Truss	2
③	EDT10-T2.2	2.2m Tri Truss	1
④	EDT10-T2.4	2.4m Tri Truss	3
⑤	EDT10-L2.2	2.2m Ladder Truss	1
⑥	EDT10-L2.4	2.4m Ladder Truss	1
⑦	EDT10-T2W90A	2 Way 90° Junction Apex In	2
⑨	EDT10-EHC4	Extender Hook Clamp	4
⑩	EDT2-OR2	Outrigger Arm Kit	2

KIT: FL-8

10" Wide Aluminum Truss. 2" Chords with 1/2" Webs

©2015 EXHIBIT AND DISPLAY TRUSS.COM

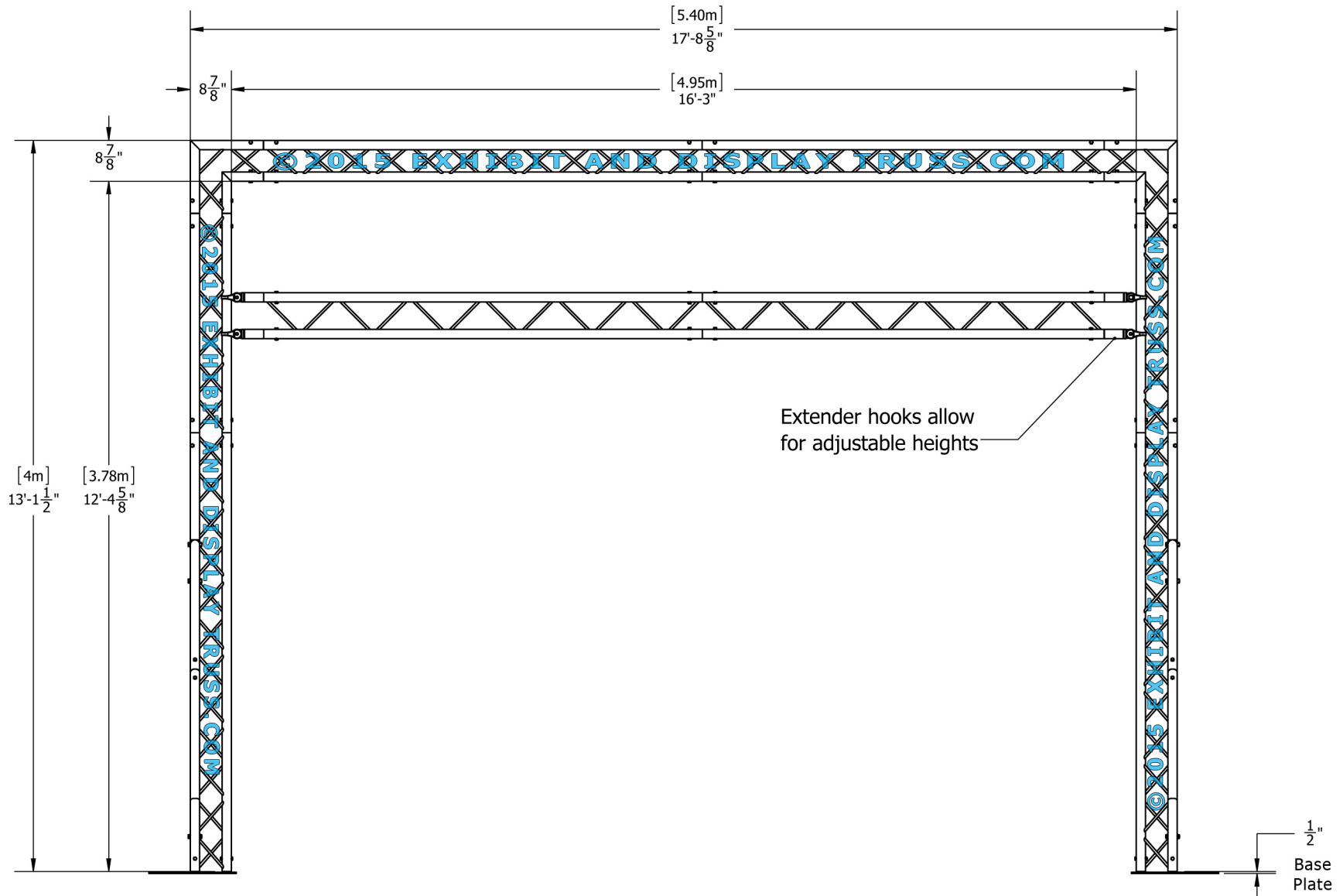


Top View
Units: Feet & Inches
[Meters]

KIT: FL-8

10" Wide Aluminum Truss. 2" Chords with 1/2" Webs

©2015 EXHIBIT AND DISPLAY TRUSS.COM



Front View
Units: Feet & Inches
[Meters]

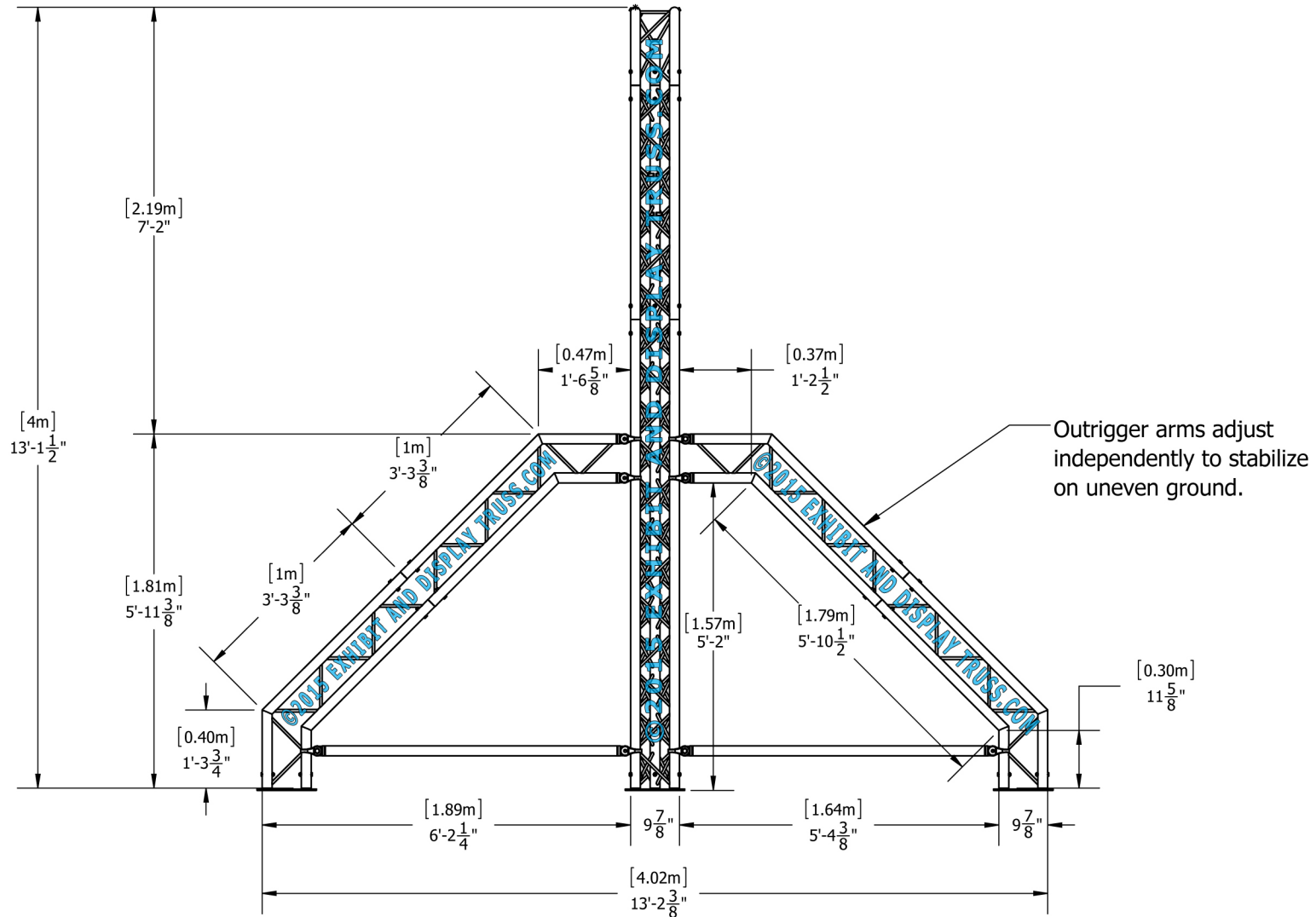
Toll Free: 855-323-4866
Email: info@exhibitanddisplaytruss.com

ExhibitAndDisplayTruss.com

KIT: FL-8

10" Wide Aluminum Truss. 2" Chords with 1/2" Webs

©2015 EXHIBIT AND DISPLAY TRUSS.COM



Side View
Units: Feet & Inches
[Meters]