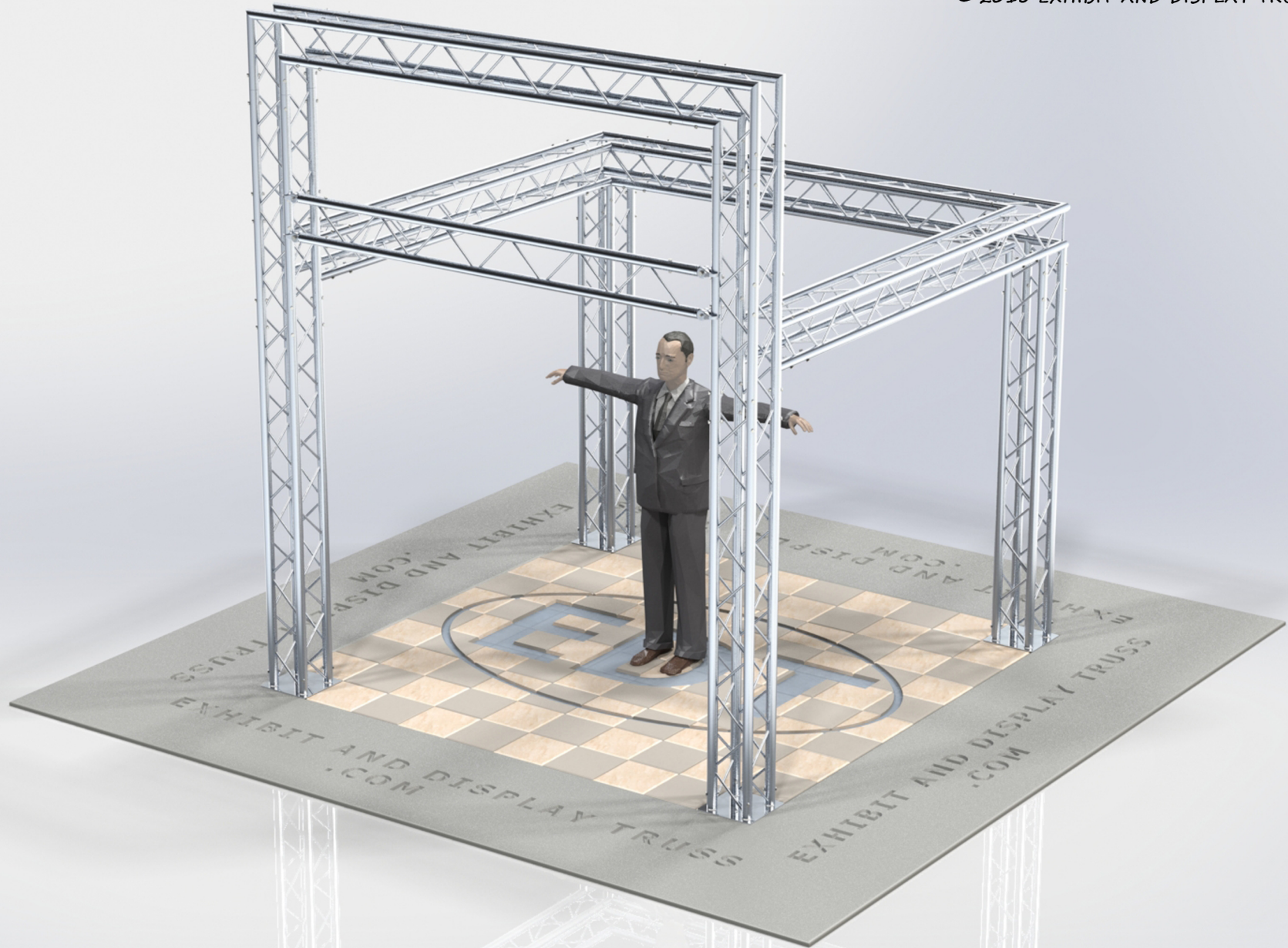


**KIT: A23-104**

**10" Wide Aluminum Truss. 2" Chords with 1/2" Webs**

©2015 EXHIBIT AND DISPLAY TRUSS.COM



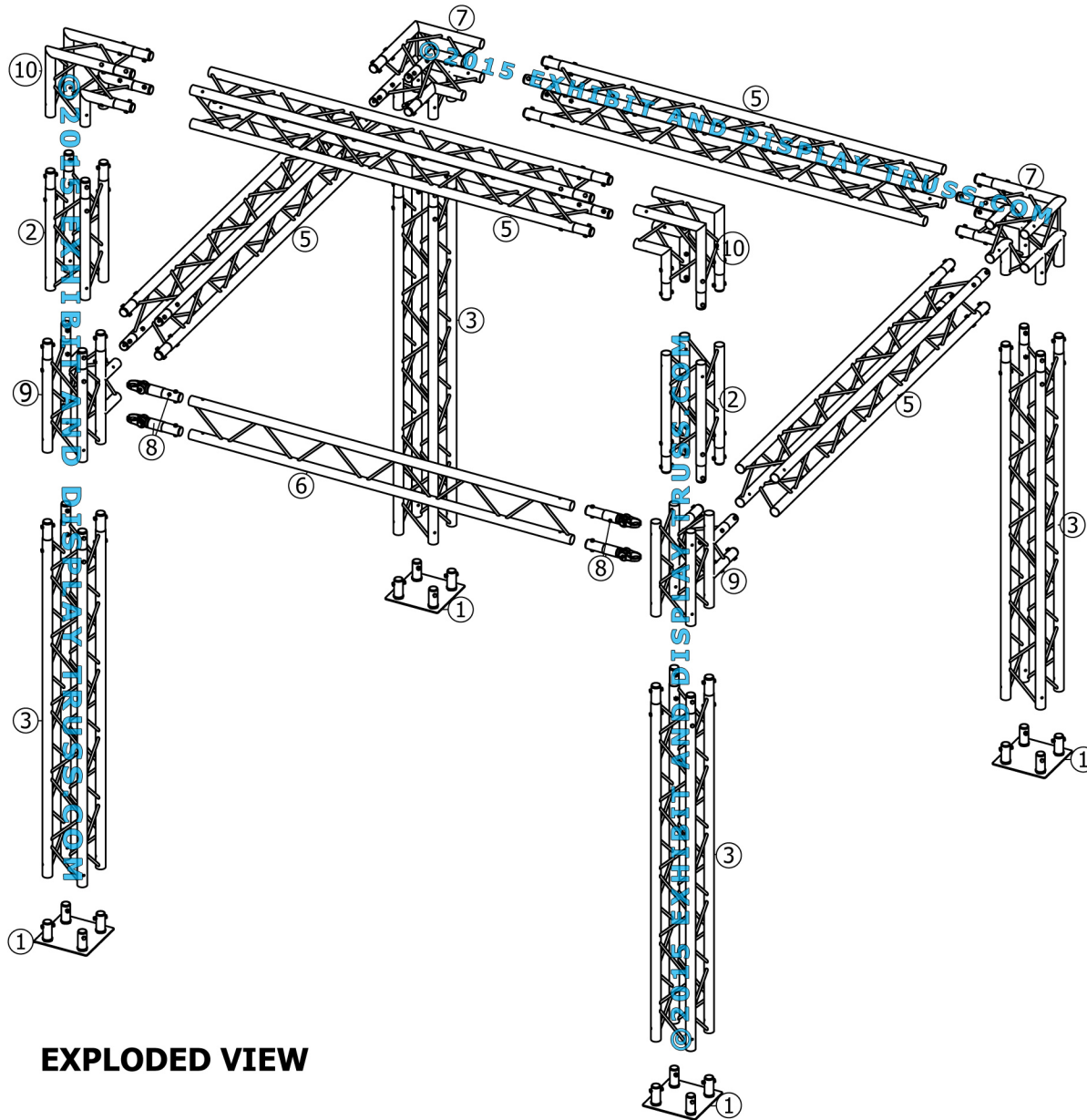
**Toll Free: 855-323-4866**  
**Email: [info@exhibitanddisplaytruss.com](mailto:info@exhibitanddisplaytruss.com)**

**[ExhibitAndDisplayTruss.com](http://ExhibitAndDisplayTruss.com)**

# KIT: A23-104

10" Wide Aluminum Truss. 2" Chords with 1/2" Webs

©2015 EXHIBIT AND DISPLAY TRUSS.COM



**EXPLODED VIEW**

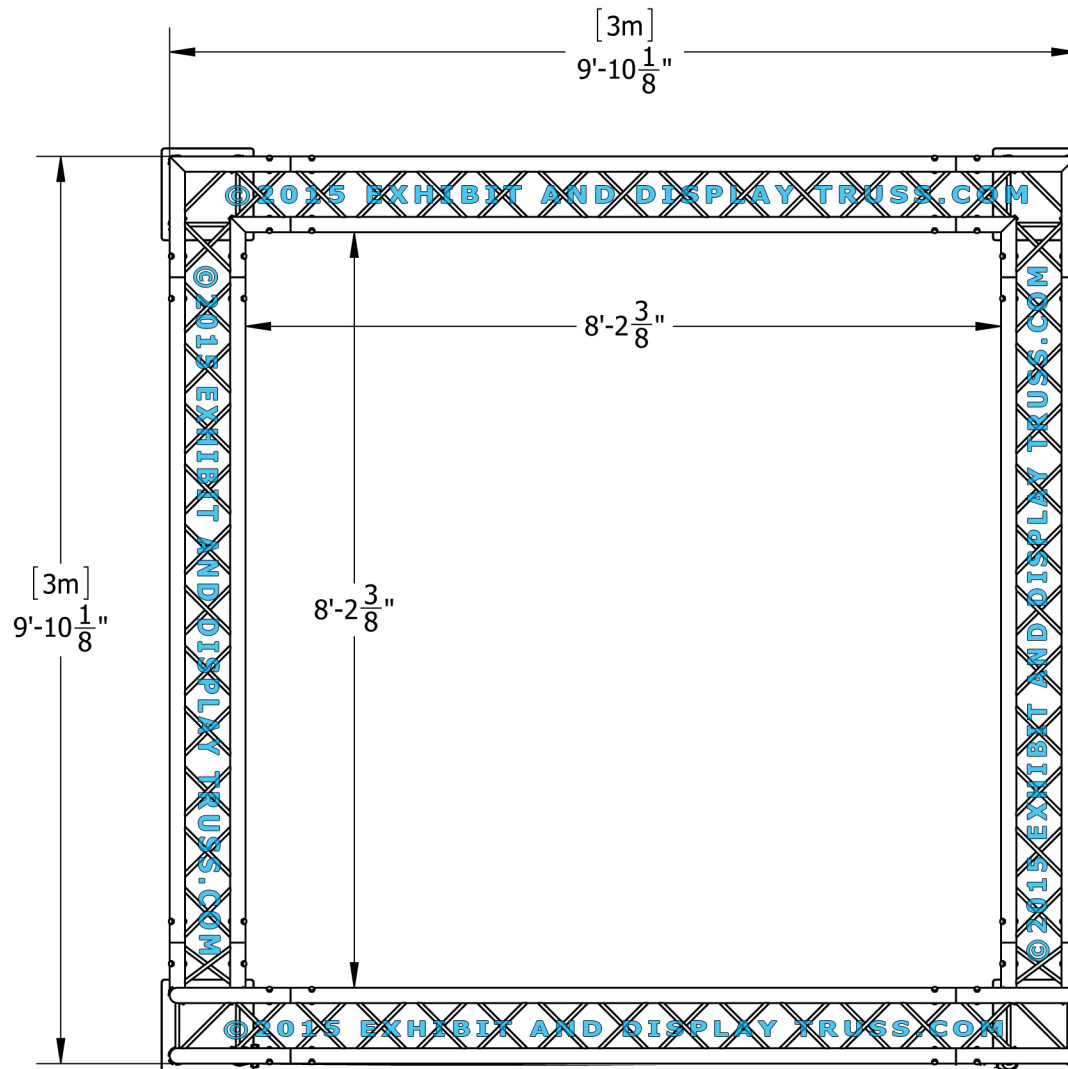
ITEM NO.	PART NUMBER	DESCRIPTION	QTY.
①	EDT10-BP4	Box Base Plate	4
②	EDT10-B0.6	0.6m Box Truss	2
③	EDT10-B2.0	2.0m Box Truss	4
⑤	EDT10-B2.2	2.2m Box Truss	4
⑥	EDT10-L2.2	2.2m Ladder Truss	1
⑦	EDT10-B3W90	3 Way 90° Junction	2
⑧	EDT10-EHC1	Extender Hook Clamp	4
⑨	EDT10-B3WT	3 Way 90° "T" Junction	2
⑩	EDT10-B2W90	2 Way 90° Junction	2



# KIT: A23-104

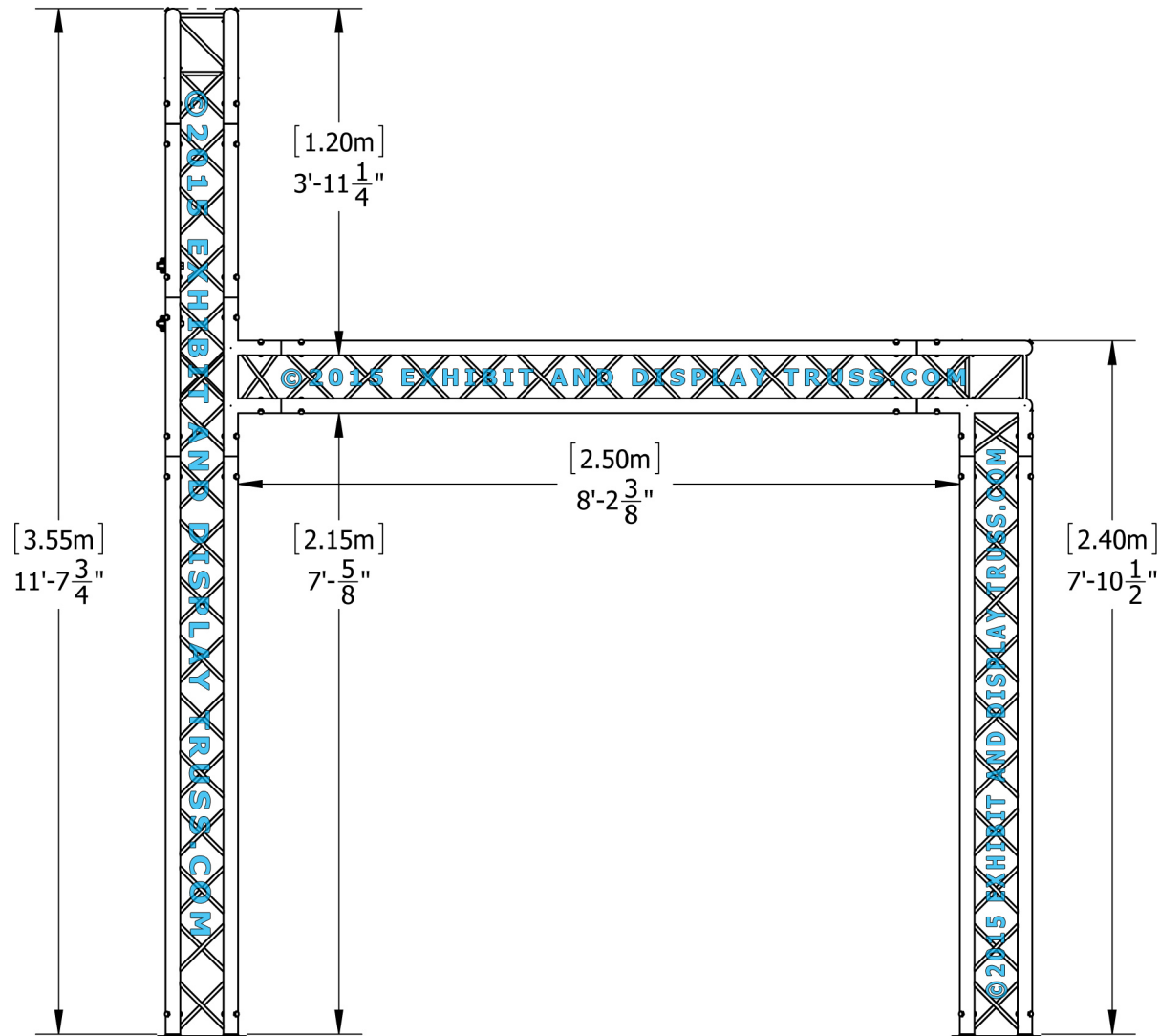
10" Wide Aluminum Truss. 2" Chords with 1/2" Webs

©2015 EXHIBIT AND DISPLAY TRUSS.COM



Top View  
Units: Feet & Inches  
Metres





**SIDE VIEW**  
**UNITS: FEET & INCHES**  
**METRES**