

**KIT: T1-103**

**10" Wide Aluminum Truss. 2" Chords with 1/2" Webs**

©2015 EXHIBIT AND DISPLAY TRUSS.COM



**Toll Free: 855-323-4866**  
**Email: [info@exhibitanddisplaytruss.com](mailto:info@exhibitanddisplaytruss.com)**

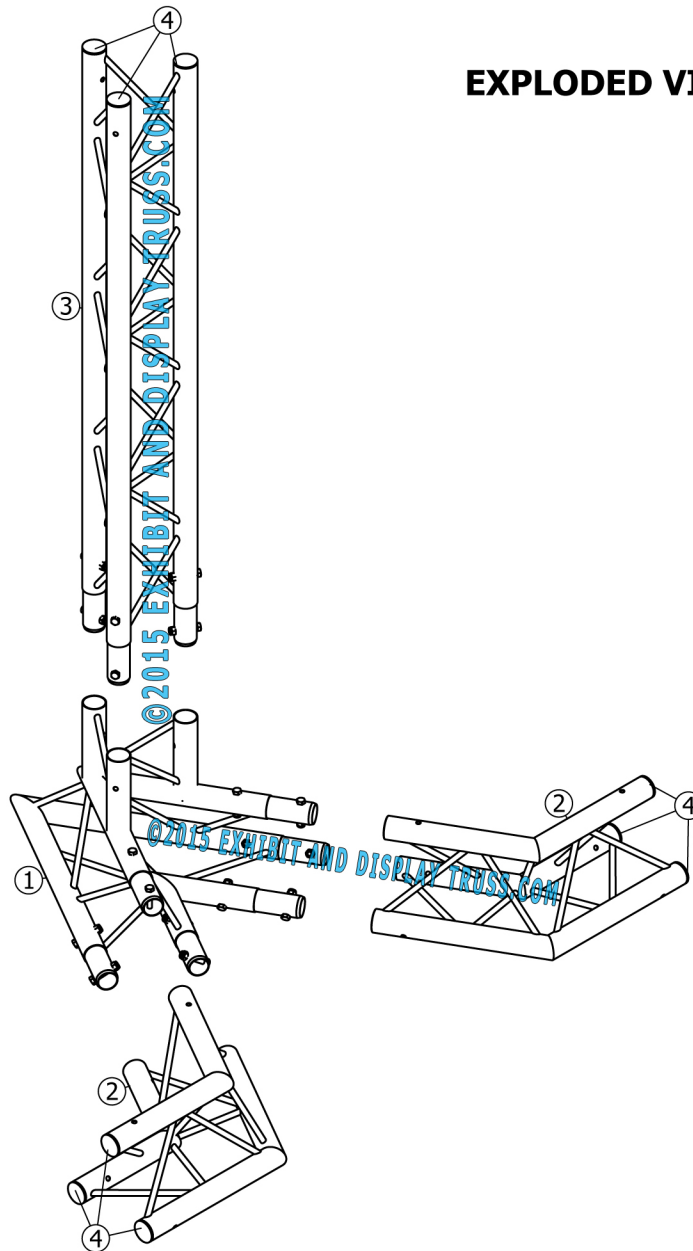
**[ExhibitAndDisplayTruss.com](http://ExhibitAndDisplayTruss.com)**

# KIT: T1-103

10" Wide Aluminum Truss. 2" Chords with 1/2" Webs

©2015 EXHIBIT AND DISPLAY TRUSS.COM

## EXPLODED VIEW

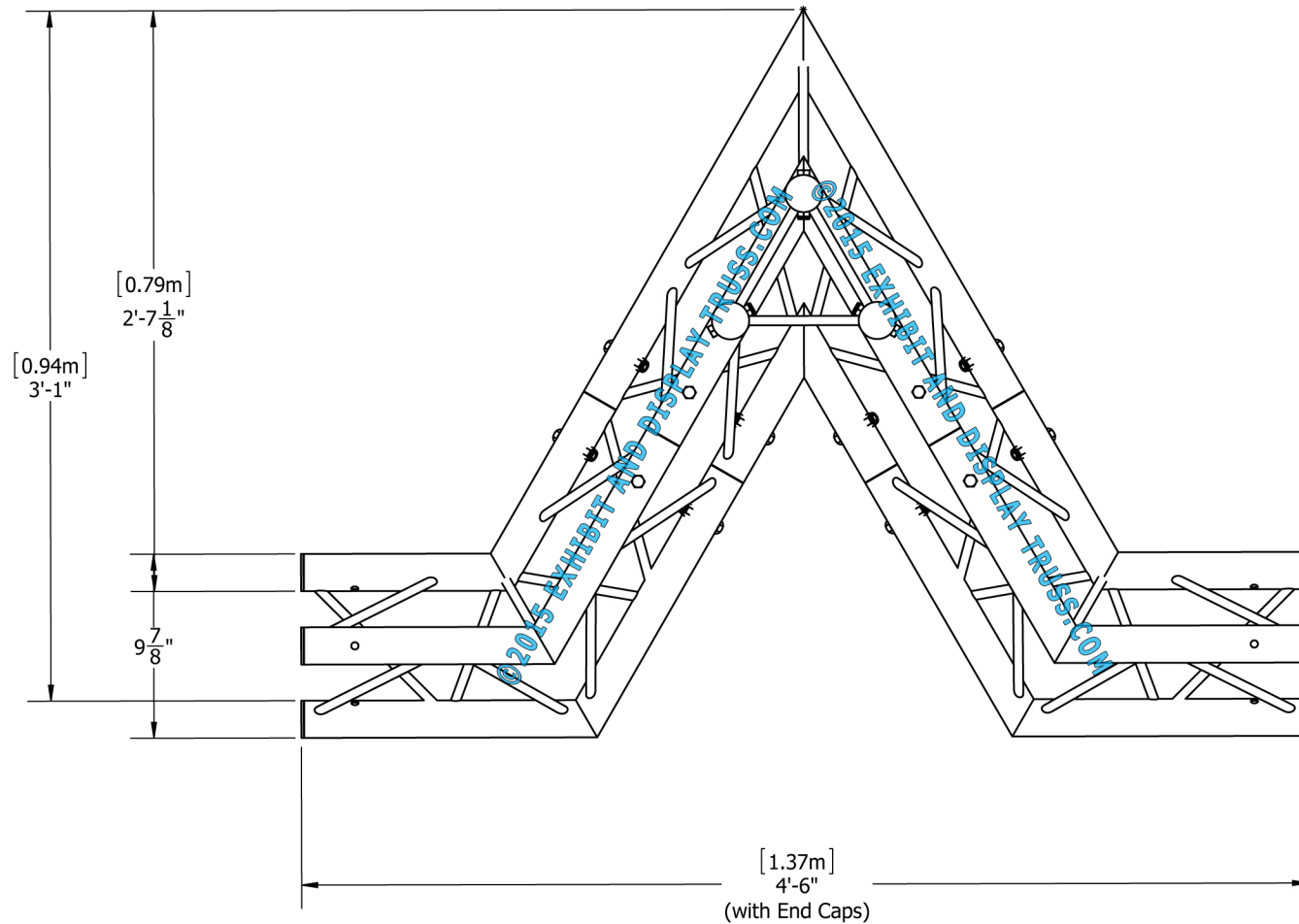


ITEM NO.	PART NUMBER	DESCRIPTION	QTY.
①	EDT10-T3W60-.6	3 Way 60° Junction (.6m long)	1
②	EDT10-T2W120	2 Way 120° Junction Aprx Up/Down	2
③	EDT10-T1.4	1.4m Tri Truss	1
④	EDT2-ECB	2" End Cap Black	9

# KIT: T1-103

10" Wide Aluminum Truss. 2" Chords with 1/2" Webs

©2015 EXHIBIT AND DISPLAY TRUSS.COM

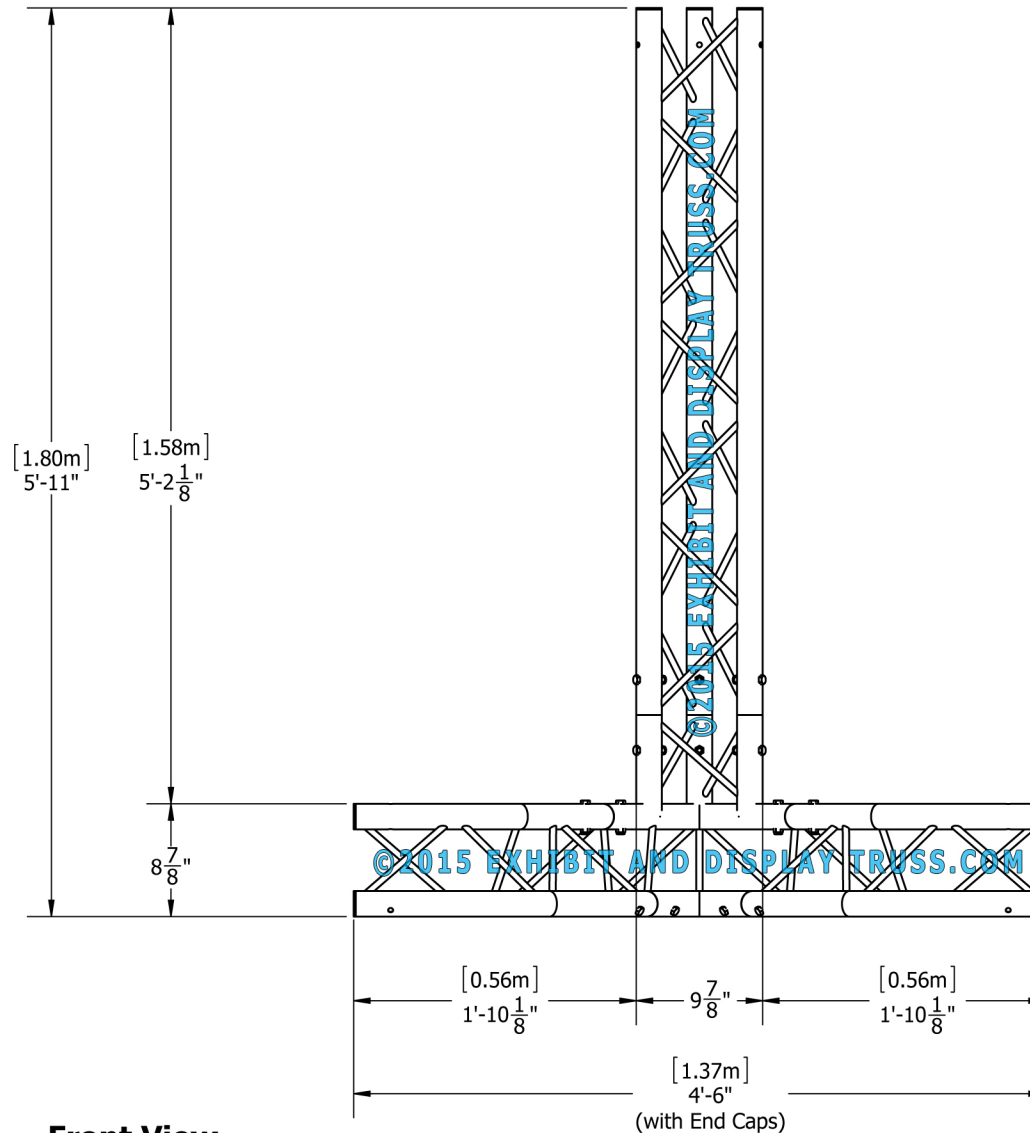


**Top View**  
Units: Feet & Inches  
[Meters]

# KIT: T1-103

10" Wide Aluminum Truss. 2" Chords with 1/2" Webs

©2015 EXHIBIT AND DISPLAY TRUSS.COM

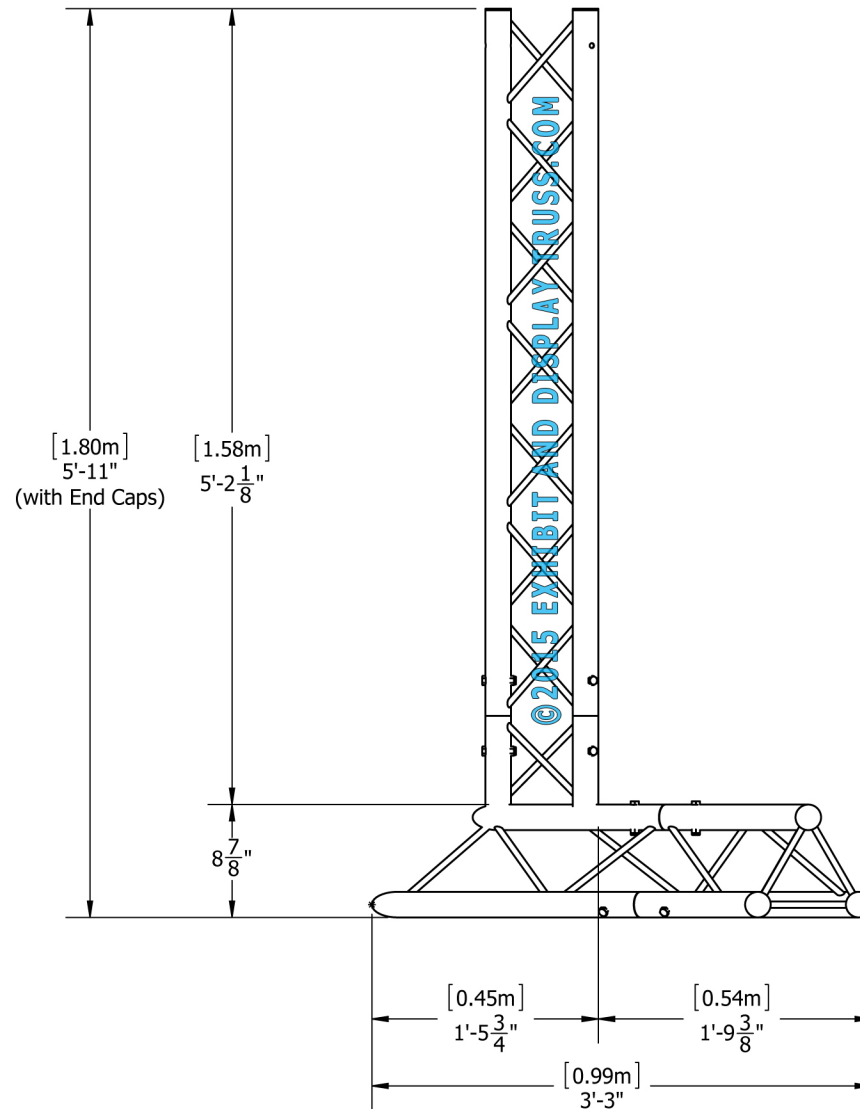


**Front View**  
Units: Feet & Inches  
[Meters]

# KIT: T1-103

10" Wide Aluminum Truss. 2" Chords with 1/2" Webs

©2015 EXHIBIT AND DISPLAY TRUSS.COM



Side View  
Units: Feet & Inches  
[Meters]